

AUTOMATE®

Push PRO Remote

The most advanced Push remote yet, combining smart features with a sleek, user-friendly design.



Custom Timers

Our first remote with 10 customisable, offline timers for autonomous shade operation.



Shade Naming

Users can identify and control shades or rooms with personalised naming.



Enhanced Visuals

2.4" LCD with backlit display, optional dark mode, and Smart Wake for instant control.



Easy Configuration

On-screen prompts guide you through setup and shade mode adjustment.



Rechargeable

Up to 6 months of battery life with a quick 2-hour USB-C recharge.



Installer Mode

Pair shades, set limits, lock and leave with the customer.



7 YEAR WARRANTY

ARC

ARC™ (Automate Radio Communication) is Rollease Acmeda's proprietary technology utilizing 433MHz radio communication with bi-directional feedback that brings Automate motorized shading systems together.

A Division of Rollease Acmeda

Product Specifications

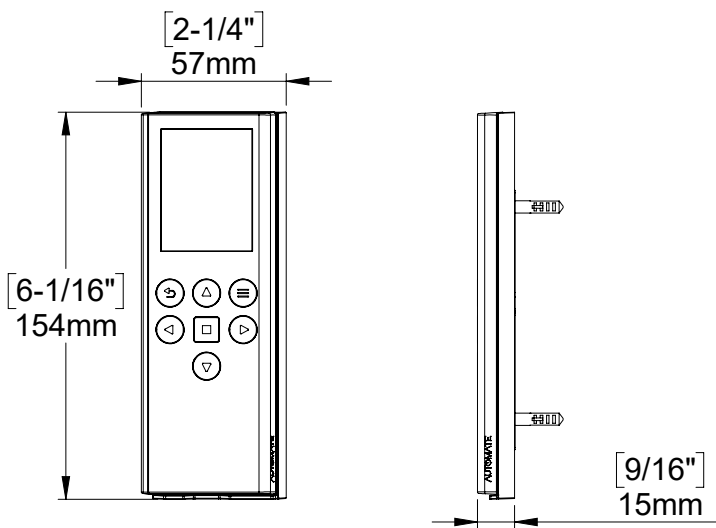
Part #: MT02-0101-067013 Automate | Push PRO Remote - White

Part #: MT02-0101-050013 Automate | Push PRO Remote - Black

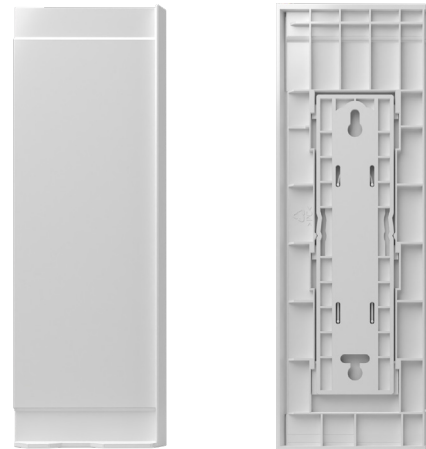
Battery Type	1000mAh Li-Ion	RF Modulation	FSK
Radio Frequency	433.92 MHz	Lock Function	Yes
Transmitting Power	10 milliwatt	IP Rating	40
Operating Temperature	32°F to 113°F (0°C to 45°C)	Transmission Distance	up to 328 ft* (up to 100m*)

* depending on environment

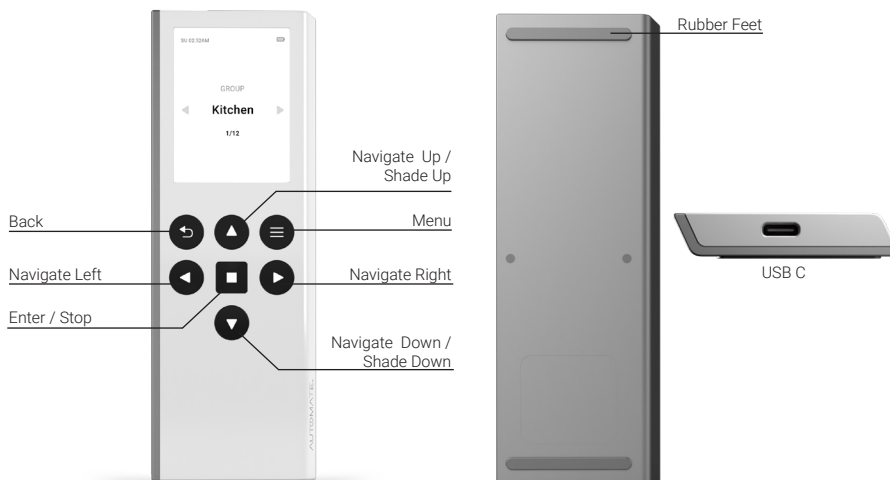
Dimensions



Wall Cradle



Button Overview



Applications

- Roller Shade
- Roman Shade
- Cellular Shade
- Sheer Shade
- Outdoor Shade
- Awnings
- Venetian
- Drapery

What's in the Box

- 1 x Push PRO Remote Control
- 1 x Quick Start Guide
- 1 x Wall Cradle
- 1 x Screw Set

*USB C cable and adapter not included