

# AUTOMATE®

## Zero Li-ion Q2.0

Quiet, rechargeable, battery-powered. This wirefree motor is perfect for medium to large shade applications.



### Patented Motor Head Design

Offers the smallest light-gap and antenna cable can be concealed within the motor head.



### Innovative Motor Cap

Optional, custom-designed accessory for no visible wires.



### Quiet Operation

Superior acoustic performance makes this our quietest motor range yet.



### Elegant Soft Stop

Slows the motor down before coming to a complete stop at the limit or target position.



### Battery Check Action

When paired with a remote, motor will move shade to indicate battery percentage.



### Micro USB Charging

Custom motor charger not required. Utilise any micro USB cable and charger to renew battery.



### Secure Hold

Motor head design accommodates bracket with a 12mm tongue for a more secure fit.



### Simplified RetroFit

Motor can be swapped yet system retains deductions, bracket adjustments are eliminated and minimal light-gap is achieved.



Quiet

**5** YEAR WARRANTY

**ARC**

ARC™ (Automate Radio Communication) is Rollease Acmeda's proprietary technology utilising 433MHz radio communication with bi-directional feedback that brings Automate motorised shading systems together.

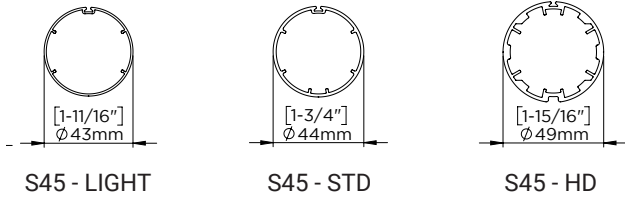
A Division of Rollease Acmeda

# Product Specifications

Part #: MT01-1328-069009 Zero Li-ion 2.0NM Q MOTOR [Ø28/5V/20RPM]

<b>Voltage</b>	5	<b>Limit Switch Type</b>	Electronic
<b>Torque</b>	2.0Nm	<b>Current</b>	1.25 A
<b>Max Run Time</b>	12 min.	<b>Battery Size/Type</b>	2600mAH
<b>Speed</b>	20 RPM (Adjustable to 24 or 28)	<b>Temp Working Range</b>	32°F to 140°F (0°C to 60°C)
<b>Radio Frequency</b>	433.92 MHz	<b>Insulation Class</b>	III
<b>RF Modulation</b>	FSK	<b>Sound Level</b>	~30 dB
<b>IP Rating</b>	IP20	<b>Power</b>	15 W

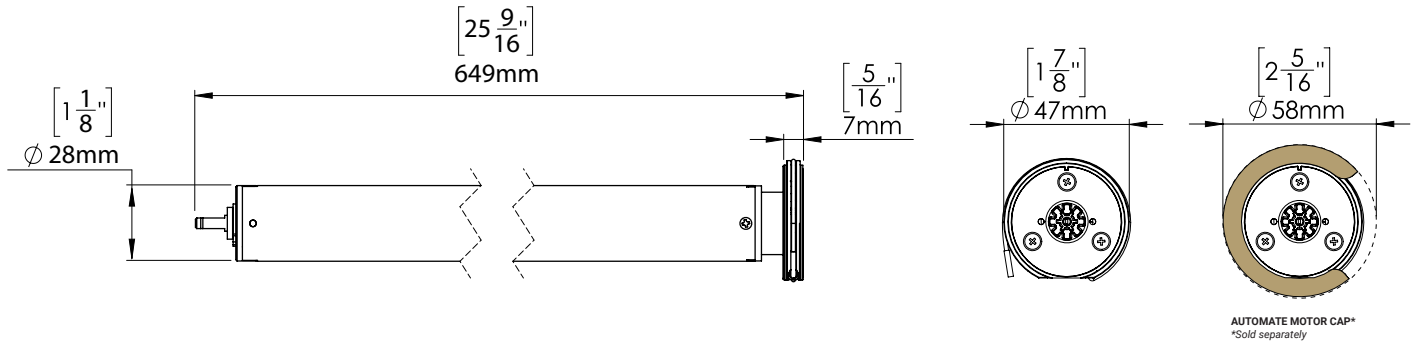
## Compatible Tubes



## Applications

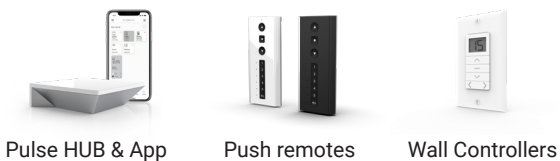
- S45 Roller Shades
- Roman Shades

## Dimensions

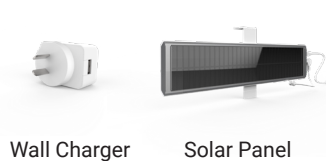


## Compatible Products

### Controllers



### Charging Options



### Motor Cap



### Sensors

