

AUTOMATE™

ACRF Q10

Powerful motor. Levelling control. Limit setting.
The AC motor can provide continuous power and is the ideal solution
when establishing wiring during a renovation or new build.



BI-DIRECTIONAL COMMUNICATION

Automate Radio Communication utilizes two-way communication to provide up-to-date feedback on battery levels and shade positioning via the Automate Pulse 2 app.



SIMPLIFIED SETUP

Whether using a remote control or app for shade setup, Automate programming instructions are streamlined to have your shades moving as quickly as possible.



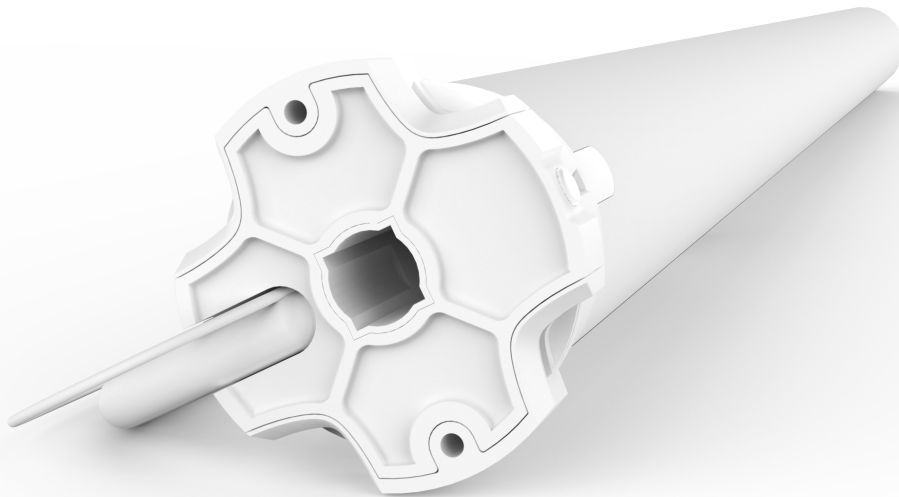
FAVORITE POSITIONING

Add a programmable shade position in addition to the upper and lower limits that can be defined as your "favorite".



PRECISE LIMIT ADJUSTMENT

Incremental steps during limit setting allows for precise positioning of the shade.



ARC™ (Automate Radio Communication) is Rollease Acmeda's proprietary technology utilizing 433MHz radio communication with bi-directional feedback that brings Automate motorized shading systems together.

MT01-1145-069002_ACRF Q10_04202020

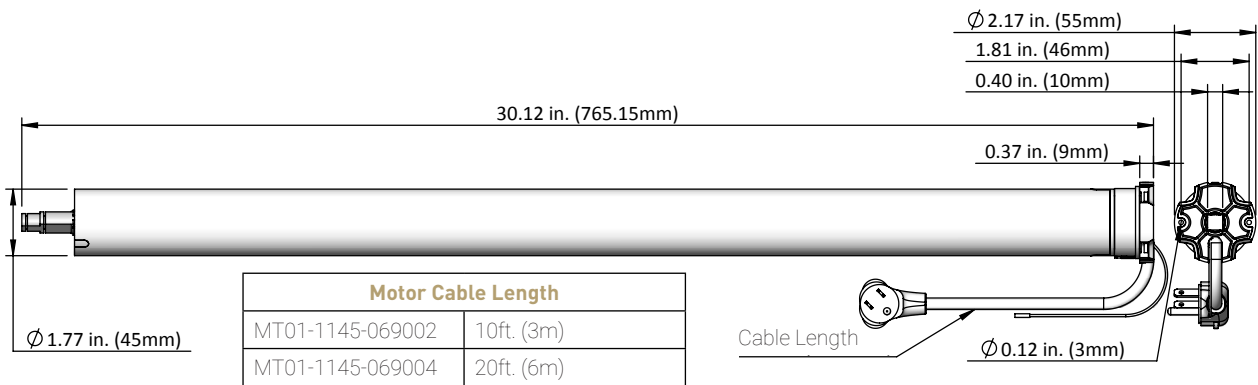


PRODUCT SPECIFICATIONS

Part #: MT01-1145-069002 ACRF Q10 Motor Quiet (Ø45/10Nm/21rpm) - 118" Cord
Part #: MT01-1145-069004 ACRF Q10 Motor Quiet (Ø45/10Nm/21rpm) - 240" Cord

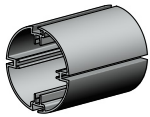
Voltage	120 A/C	Limit Switch Type	Electronic
Torque	10Nm	Current	1A
Max Run Time	4 min	Temp Working Range	32°F to 140°F (0°C to 60°C)
Speed	21 RPM	Insulation Class	III
Radio Frequency	433.92 MHz	Sound Level	~46 dB
RF Modulation	FSK	Power	120
IP Rating	IP44		

DIMENSIONS



COMPATIBLE PARTS

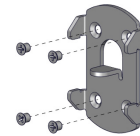
Tubes



Crown & Drives



Adaptors



2-1/2" Tube	MTCRDR-45-2.5
3-1/4" Tubes	MTCRDR-45-3.25
S60 Tube	RB56-0336-050502
63mm Aluminum Tube	RE01-0666-xxx508/ RE01-0666-xxx518
S80 Tube	RB56-0338-050502

- RB56-0701-xxx518
- RB56-0711-069519
- MTAD-45-SL

COMPATIBLE SYSTEMS

- Veue
- S60 Large Roller Shades

COMPATIBLE ACCESSORIES (refer to catalog for full item listings)

Controllers



Pulse 2 HUB



Push 5 remotes