

AUTOMATE™

ACRF 6

Powerful motor. Levelling control. Limit setting.
The AC motor can provide continuous power and is the ideal solution
when establishing wiring during a renovation or new build.



BI-DIRECTIONAL COMMUNICATION

Automate Radio Communication utilizes two-way communication to provide up-to-date feedback on battery levels and shade positioning via the Automate Pulse 2 app.



SIMPLIFIED SETUP

Whether using a remote control or app for shade setup, Automate programming instructions are streamlined to have your shades moving as quickly as possible.



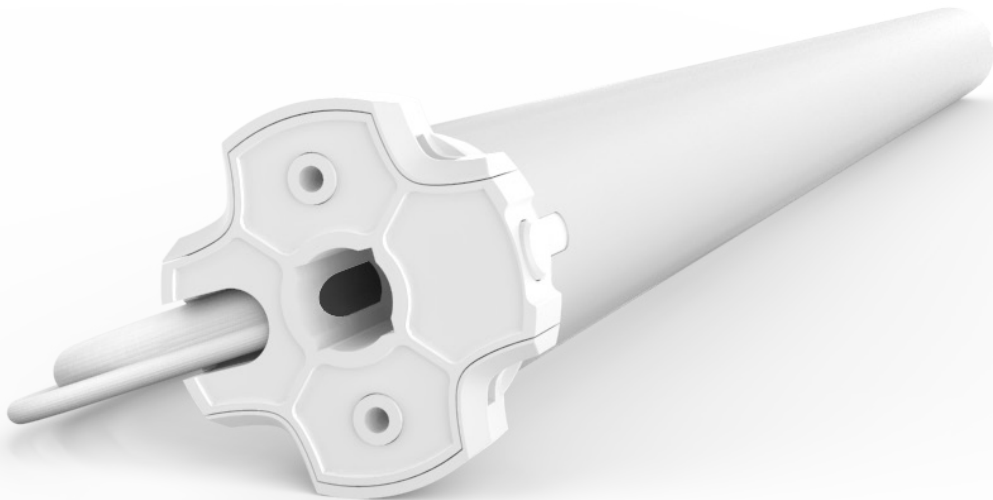
FAVORITE POSITIONING

Add a programmable shade position in addition to the upper and lower limits that can be defined as your "favorite".



PRECISE LIMIT ADJUSTMENT

Incremental steps during limit setting allows for precise positioning of the shade.



ARC™ (Automate Radio Communication) is Rollease Acmeda's proprietary technology utilizing 433MHz radio communication with bi-directional feedback that brings Automate motorized shading systems together.

MTACRF35-6_ACRF 6_04202020

7 YEAR
WARRANTY

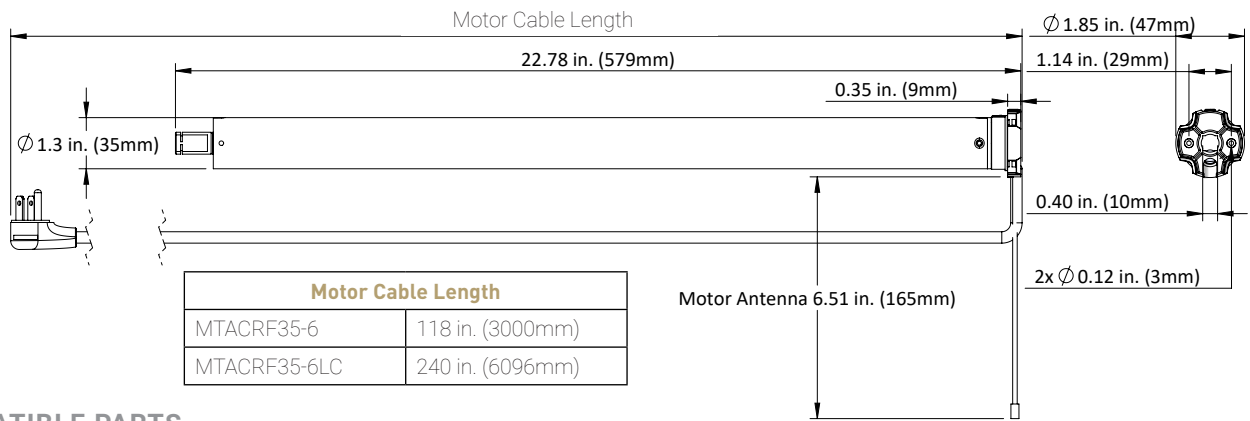
A DIVISION OF
**ROLLEASE
ACMEDA**

PRODUCT SPECIFICATIONS

Part #: MTACRF35-6 AC Tubular motor with RF control.
Part #: MTACRF35-6LC AC Tubular motor with RF control w. long cable

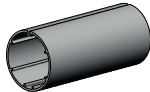
Voltage	120V (US) / 240V (AU) / 230V (EU) AC	Limit Switch Type	Electronic
Torque	6.0Nm	Current	0.85A
Max Run Time	4 min	Temp Working Range	32°F to 140°F (0°C to 60°C)
Speed	33 RPM	Insulation Class	III
Radio Frequency	433.92 MHz	Sound Level	~44 dB
RF Modulation	FSK	Power	102W
IP Rating	IP44		

DIMENSIONS

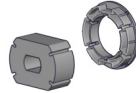


COMPATIBLE PARTS

Tubes



Crown & Drives



Adaptors



2" Ribbed Tube	MTCRDR-35-2
S45 - Light	MTCRDR-35-S45
S45 - Std	
S45 - HD	
40mm Octagonal (3rd party product)	VB40-0306-050408 & MTCR-35-2-OCT

- MTAD-252835-SL
- MTAD-25-28-SLV2W
- RB40-1402-069400

COMPATIBLE SYSTEMS

- Skyline Roller Shades
- S45 Roller Shades

COMPATIBLE ACCESSORIES (refer to catalog for full item listings)

Controllers



Pulse 2 HUB



Push 5 remotes