

AUTOMATE.®

AX30

A high torque ARC motor suitable for extreme systems featuring Impact Detection as well as open bracket & cassette folding arm awning solutions featuring Self Tightening technology.



3-In-1 Motor

Universal Compatibility with Extreme and Awning Systems



Precise Limit Adjustment

Incremental steps during limit setting allows for precise positioning of the shade.



Wind & Sun Sensor Compatibility

Ability to detect Wind and light from compatible sensors



Robust Metal Star Head

Ensuring a strong and secure attachment.



Multi-Functional

An optional cassette mode performing a self tightening fabric function for a perfectly sealed cassette or head box.



Simplified Setup

Whether using a remote control or app for shade setup, Automate programming instructions are streamlined to have your shades moving as quickly as possible.



7
YEAR
WARRANTY

ARC

ARC™ (Automate Radio Communication) is Rollease Acmeda's proprietary technology utilizing 433MHz radio communication with bi-directional feedback that brings Automate motorized shading systems together.

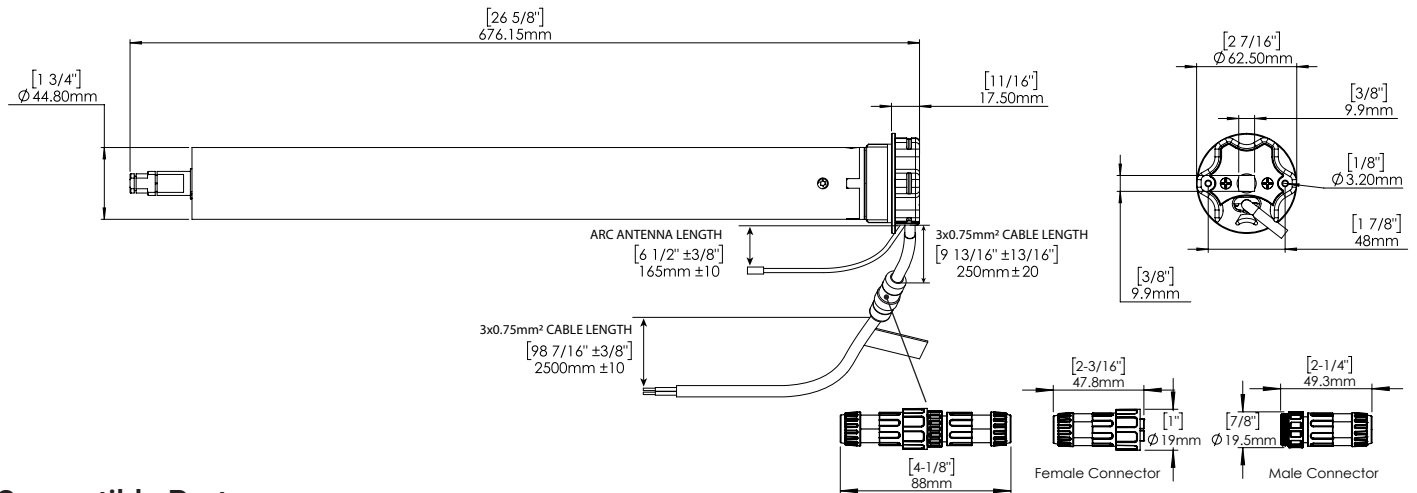
A Division of Rollease Acmeda

PRODUCT SPECIFICATIONS

Part #: MT01-1145-069013 AUTOMATE AX30 Motor

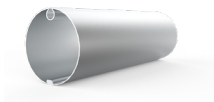
Voltage	240V AC 50Hz	IP Rating	IP44
Torque	30Nm	Limit Switch Type	Electronic
Max Run Time	4min	Current	0.87A
Speed	15 RPM	Temp Working Range	32°F to 140°F (0°C to 60°C)
Radio Frequency	433.92 MHz	Insulation Class	H
RF Modulation	FSK		

Dimensions

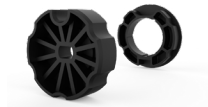


Compatible Parts

Tubes



Crown & Drives



Adaptors



78mm Steel Tube	RE01-0678-050508 Crown
78mm Alu Tube	MT03-0106-050006 Drive Wheel
S100 110mm Tube	RB80-0701-073100 Extreme Crown
S100 130mm Tube	RB80-0301-073100 Extreme Drive Wheel
S100 160mm Tube	MT03-0198-025008 - AUTOMATE SOMFY Drive wheel adaptor

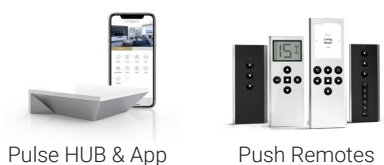
- RB56-076x-014050 Zamak adaptors

Compatible Systems

- Extreme Shades
- Folding Arm Awnings

Compatible Products (refer to catalog for full item listings)

Controllers



Sensors

