

# AUTOMATE™

## DCRF 1.1

Simplified wiring. Efficient installation. Maintenance free.  
This low voltage motor is perfect for small to large Roller shade applications.



#### BIDIRECTIONAL COMMUNICATION

Automate Radio Communication utilizes two-way communication to provide up-to-date feedback on battery levels and shade positioning via the Automate Pulse 2 app.



#### ADJUSTABLE SPEED CONTROL

Three shade speed settings to suit your needs – faster for larger shades, slower for smaller. Features quiet operation when set to the lowest speed setting.



#### SIMPLIFIED SETUP

Whether using a remote control or app for shade setup, Automate programming instructions are streamlined to have your shades moving as quickly as possible.



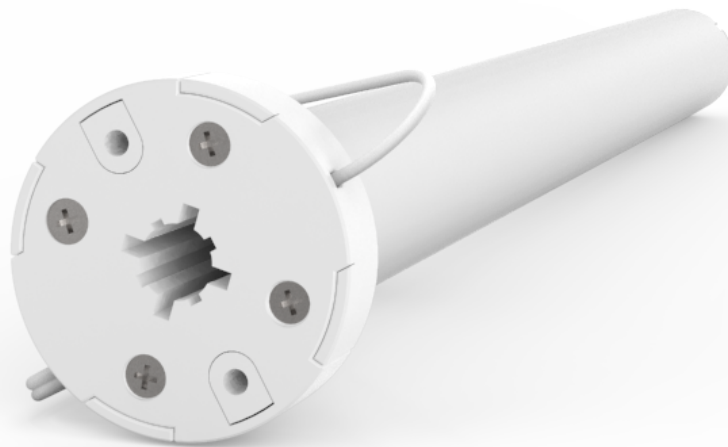
#### FAVORITE POSITIONING

Add a programmable shade position in addition to the upper and lower limits that can be defined as your "favorite".



#### PRECISE LIMIT ADJUSTMENT

Incremental steps during limit setting allows for precise positioning of the shade.



Automate Radio  
Communication

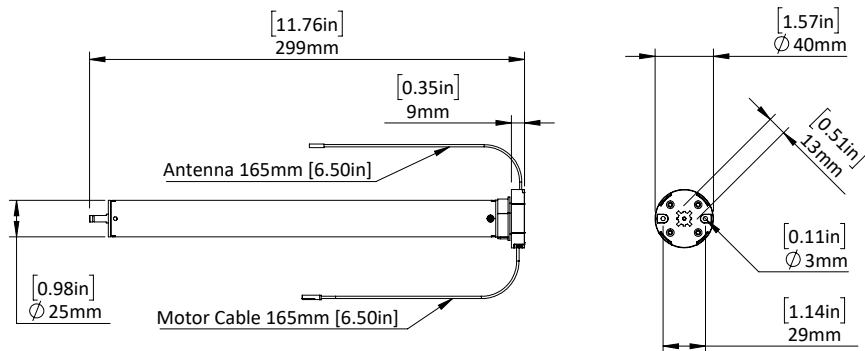
**7** YEAR  
WARRANTY

# PRODUCT SPECIFICATIONS

Part #: MTDCRF25-1.1 Automate DCRF 1.1

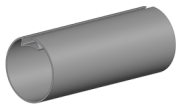
<b>Voltage</b>	12V DC	<b>Limit Switch Type</b>	Electronic
<b>Torque</b>	1.1Nm	<b>Current</b>	0.87A
<b>Max Run Time</b>	10 Min	<b>Battery Size/Type</b>	External Battery Pack
<b>Speed</b>	40 RPM (Adjustable to 30 or 20)	<b>Temp Working Range</b>	32°F to 140°F (0°C to 60°C)
<b>Radio Frequency</b>	433.92 MHz	<b>Insulation Class</b>	III
<b>RF Modulation</b>	FSK	<b>Sound Level</b>	~46 dB
<b>IP Rating</b>	IP44	<b>Power</b>	10W

## DIMENSIONS

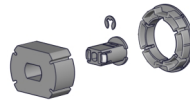


## COMPATIBLE PARTS

### Tubes



### Crown & Drives



### Adaptors



S45 - Light	MTCRDR-25-S45
S45 - Std	
S45 - HD	
1.25' Tube	MTCRDR-25-1.25
1.5' Tube	MTCRDR-25-1.5

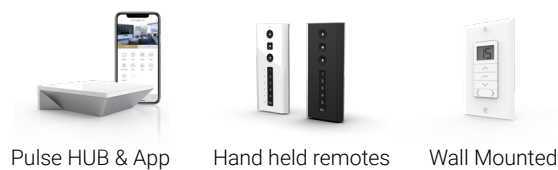
- MTAD-252835-SL
- MTAD-25-28-SLV2W
- MTAD-252835-RS
- RB40-1402-069400

## COMPATIBLE SYSTEMS

- S45 Roller Shades
- Skyline Roller Shades
- R Series Roller Shades

## COMPATIBLE PRODUCTS (refer to catalog for full item listings)

### Controllers



### Charging Options

