

# AUTOMATE™

## ACRF 6

Powerful motor. Levelling control. Limit setting.  
The AC motor can provide continuous power and is the ideal solution  
when establishing wiring during a renovation or new build.



### BI-DIRECTIONAL COMMUNICATION

Automate Radio Communication utilizes two-way communication to provide up-to-date feedback on battery levels and shade positioning via the Automate Pulse 2 app.



### SIMPLIFIED SETUP

Whether using a remote control or app for shade setup, Automate programming instructions are streamlined to have your shades moving as quickly as possible.



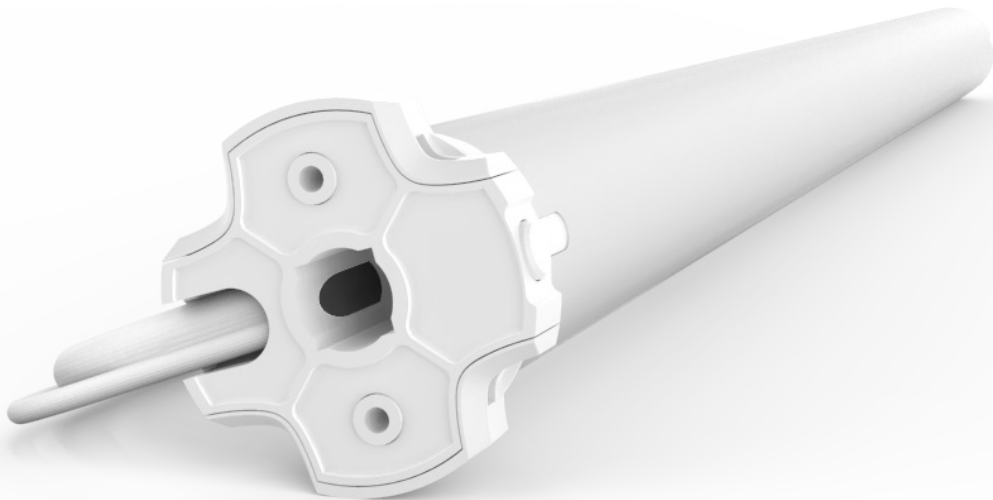
### FAVORITE POSITIONING

Add a programmable shade position in addition to the upper and lower limits that can be defined as your "favorite".



### PRECISE LIMIT ADJUSTMENT

Incremental steps during limit setting allows for precise positioning of the shade.



ARC™ (Automate Radio Communication) is Rollease Acmeda's proprietary technology utilizing 433MHz radio communication with bi-directional feedback that brings Automate motorized shading systems together.

MTACRF35-6\_ACRF 6\_04202020

**7** YEAR  
WARRANTY

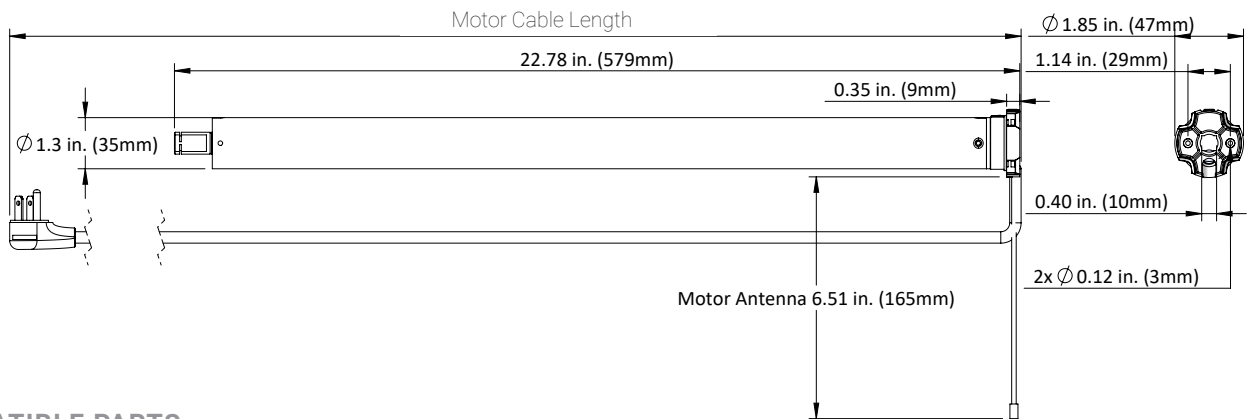
A DIVISION OF  
**ROLLEASE  
ACMEDA**

# PRODUCT SPECIFICATIONS

Part #: MTACRF35-6-240V AC Tubular motor with RF control.

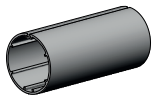
<b>Voltage</b>	240V	<b>Limit Switch Type</b>	Electronic
<b>Torque</b>	6.0Nm	<b>Current</b>	0.85A
<b>Max Run Time</b>	4 min	<b>Temp Working Range</b>	32°F to 140°F (0°C to 60°C)
<b>Speed</b>	33 RPM	<b>Insulation Class</b>	III
<b>Radio Frequency</b>	433.92 MHz	<b>Sound Level</b>	~44 dB
<b>RF Modulation</b>	FSK	<b>Power</b>	102W
<b>IP Rating</b>	IP44		

## DIMENSIONS

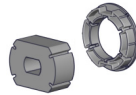


## COMPATIBLE PARTS

### Tubes



### Crown & Drives



### Adaptors



2" Ribbed Tube	MTCRDR-35-2
S45 - Light	MTCRDR-35-S45
S45 - Std	
S45 - HD	
40mm Octagonal (3rd party product)	VB40-0306-050408 & MTCR-35-2-OCT

- MTAD-252835-SL
- MTAD-25-28-SLV2W
- RB40-1402-069400

## COMPATIBLE SYSTEMS

- Skyline Roller Shades
- S45 Roller Shades

## COMPATIBLE ACCESSORIES (refer to catalog for full item listings)

### Controllers



Pulse 2 HUB



Push 5 remotes