

# AUTOMATE™ | Paradigm Surface Mount Switch

Part #: MTRF-WS5-FLUSH  
Description: RF White 5 Channel Decorator Surface Mount Switch

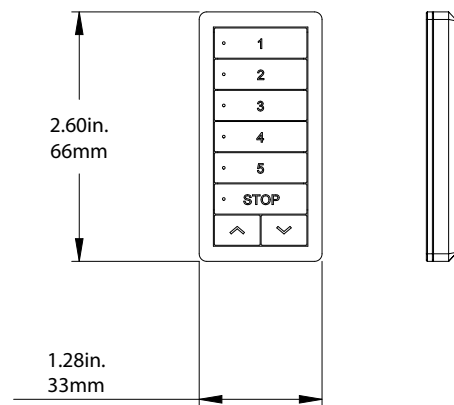
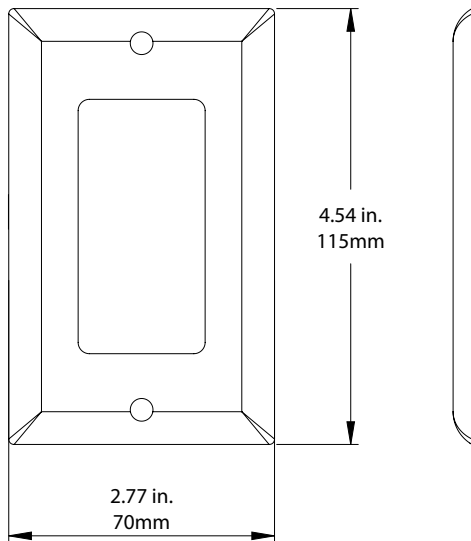
## FEATURES

Automate™ Paradigm surface mount switches feature a contemporary design and a wire-free deployment, making them retrofit ready for any location. Paradigm 5 channel switches are perfect for all internal motorized shade applications.

- Multi channel selectable
- Retrofit Ready
- Group Control
- Compatible with screw-less decorator cover plates
- Optionally functions as a hand-held remote



## DIMENSIONS



## SPECIFICATIONS

<b>Input Voltage</b>	3V (CR2430 x 1)
<b>Transmitting Frequency</b>	433 MHz
<b>Transmitting Power</b>	10 mW
<b>Operating Temperature</b>	14 to 122 °F
<b>Transmitting Distance</b>	20 Meters typical Up to 100 Meters unobstructed

Leading innovator of precision hardware and automated shade solutions.

USA | AUSTRALIA | EUROPE [rolleseeacmeda.com](http://rolleseeacmeda.com)

PORG\_MTRF-WS5-FLUSH\_V1.0 MAR 2017

© 2016 Rollease Acmeda Group