

AUTOMATE™

Wire-Free Li-ion Zero Q2

Ultra-quiet, rechargeable, battery-powered. This Wire-Free motor is perfect for medium to large shade applications.



UNIQUE MOTOR HEAD DESIGN

A slim motor head for a minimal light-gap and a purpose-designed groove for the antenna cable.



INNOVATIVE MOTOR CAP

This optional, decorative cover ensures that all wires are completely out of sight.



ULTRA-QUIET

Acoustically engineered to insulate sound, this is our quietest Automate motor yet.



ELEGANT SOFT STOP

The smooth action slows the motor down upon shade closure, quietly coming to an elegant stop.



BATTERY CHECK FUNCTION

Easily check battery level with one touch of the remote, moving the shade to indicate battery percentage.



MICRO USB CHARGING

Quickly and conveniently charge the motor with any micro USB cable charger.



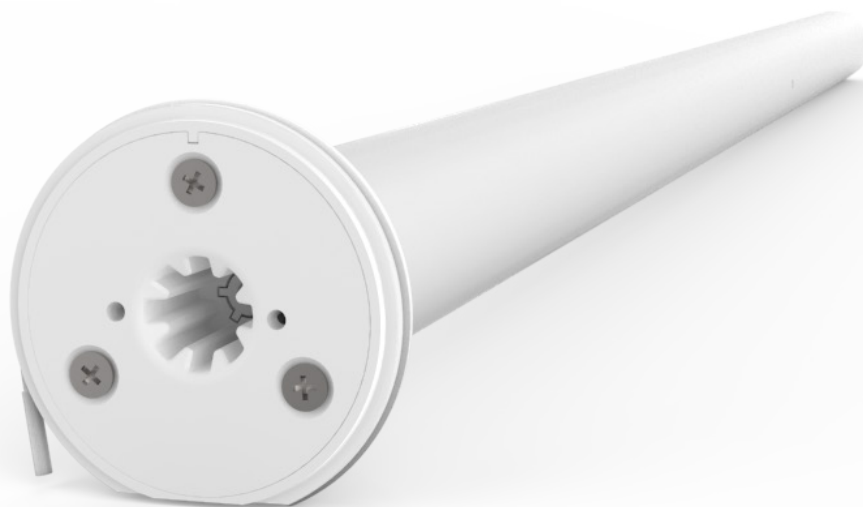
SECURE HOLD

Motor head design accommodates 12mm tongue brackets for a strong, secure hold.



SIMPLIFIED RETRO-FIT

The slim motor head retains manual system deductions, eliminating the need for bracket adjustment.



5 YEAR WARRANTY



ARC™ (Automate Radio Communication) is Rollease Acmeda's proprietary technology utilising 433MHz radio communication with bi-directional feedback that brings Automate motorised shading systems together.

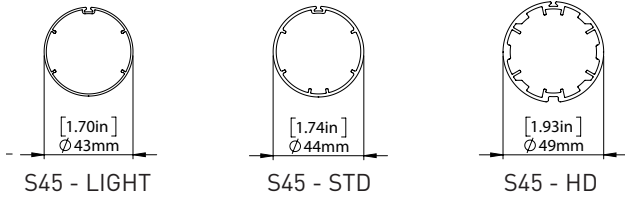
© Rollease Acmeda

PRODUCT SPECIFICATIONS

Part #: MT01-1328-069002 Automate Wire-Free Li-ion Zero Q2

Voltage	5	Limit Switch Type	Electronic
Torque	2.0Nm	Current	1.25 A
Max Run Time	12 min.	Battery Size/Type	2600mAH
Speed	20 RPM (Adjustable to 24 or 28)	Temp Working Range	32°F to 140°F (0°C to 60°C)
Radio Frequency	433.92 MHz	Insulation Class	III
RF Modulation	FSK	Sound Level	~46 dB
IP Rating	IP20	Power	15 W

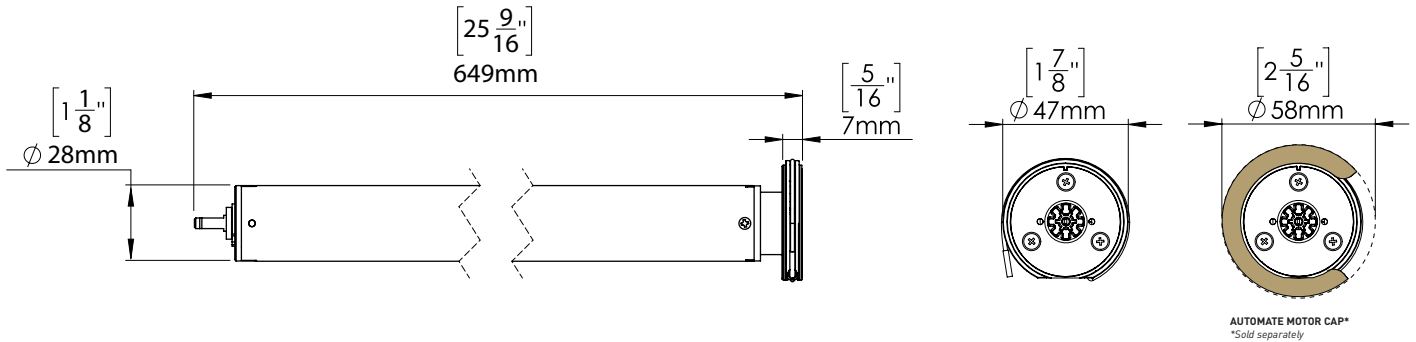
COMPATIBLE TUBES



APPLICATIONS

- S45 Roller Shades
- Roman Shades

DIMENSIONS

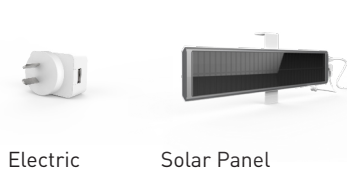


COMPATIBLE PRODUCTS (refer to catalog for full item listings)

Controllers



Charging Options



Motor Cap



Sensors

