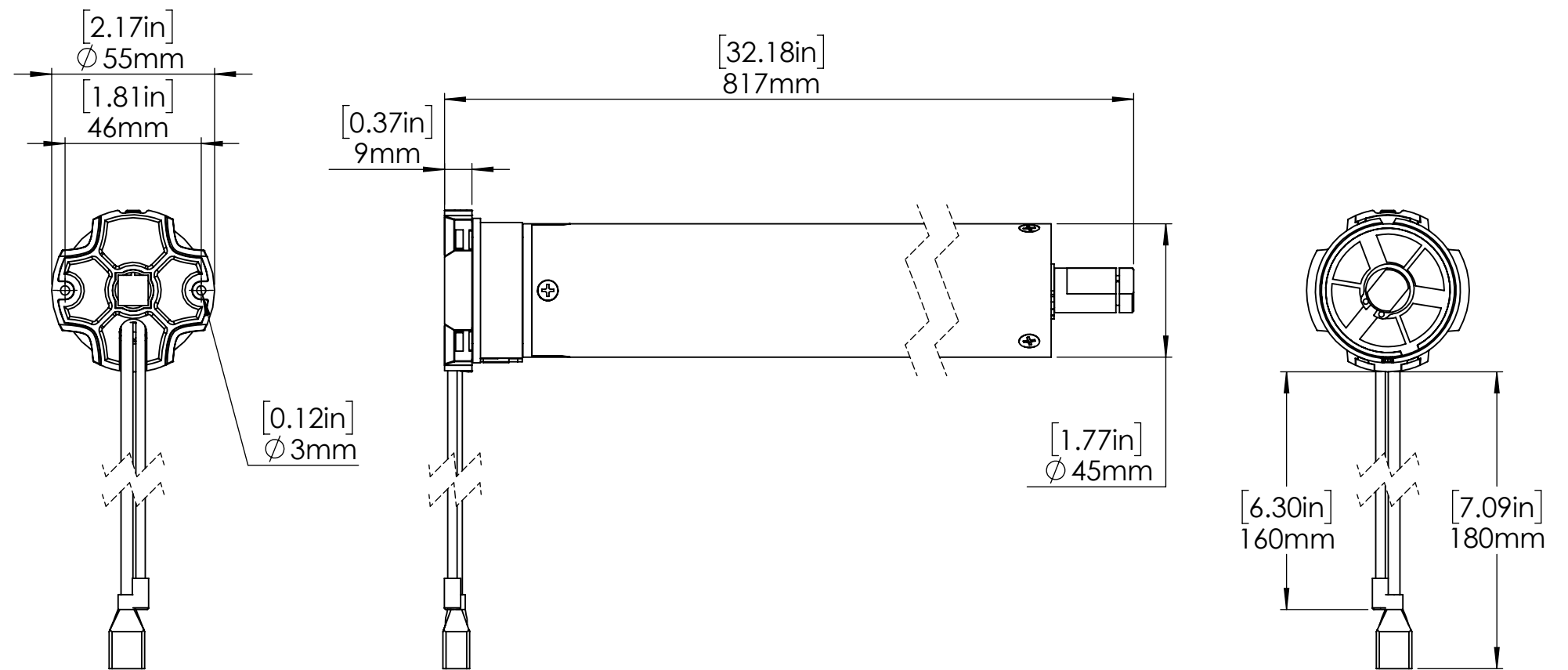
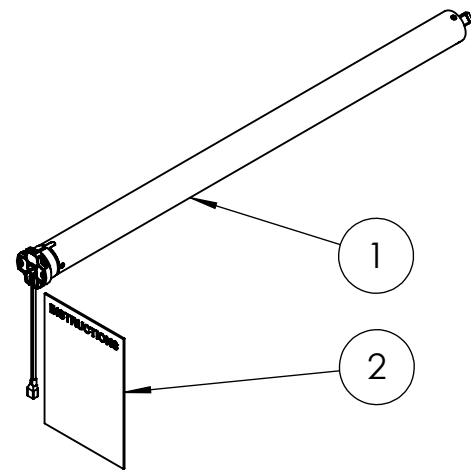


ITEM NO.	DESCRIPTION	QTY.
1	AUTOMATE 10.0Nm ARC Motor [Ø45/5V/9rpm]	1
2	Installation Instructions	1



PRODUCT SPECIFICATION SHEET

ITEM DESCRIPTION: **AUTOMATE | LI-ION 10Nm ARC Motor [Ø45/5V/9rpm]**

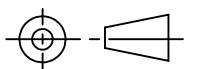
ITEM CODE: **MT01-1345-069002**



© ROLLEASE
ACMEDA

SCALE:1:2

DRAWN: 14 Jul 2020



www.rolleseeacmeda.com

PROPRIETARY & CONFIDENTIAL
THE INFORMATION CONTAINED IN THIS DRAWING IS THE SOLE PROPERTY OF
ROLLEASE ACMEDA. ANY REPRODUCTION IN PART OR WHOLE WITHOUT THE
WRITTEN PERMISSION OF ROLLEASE ACMEDA IS PROHIBITED.

DIMENSIONS
IN "MM"

SIZE: **A3**

REV. **03**