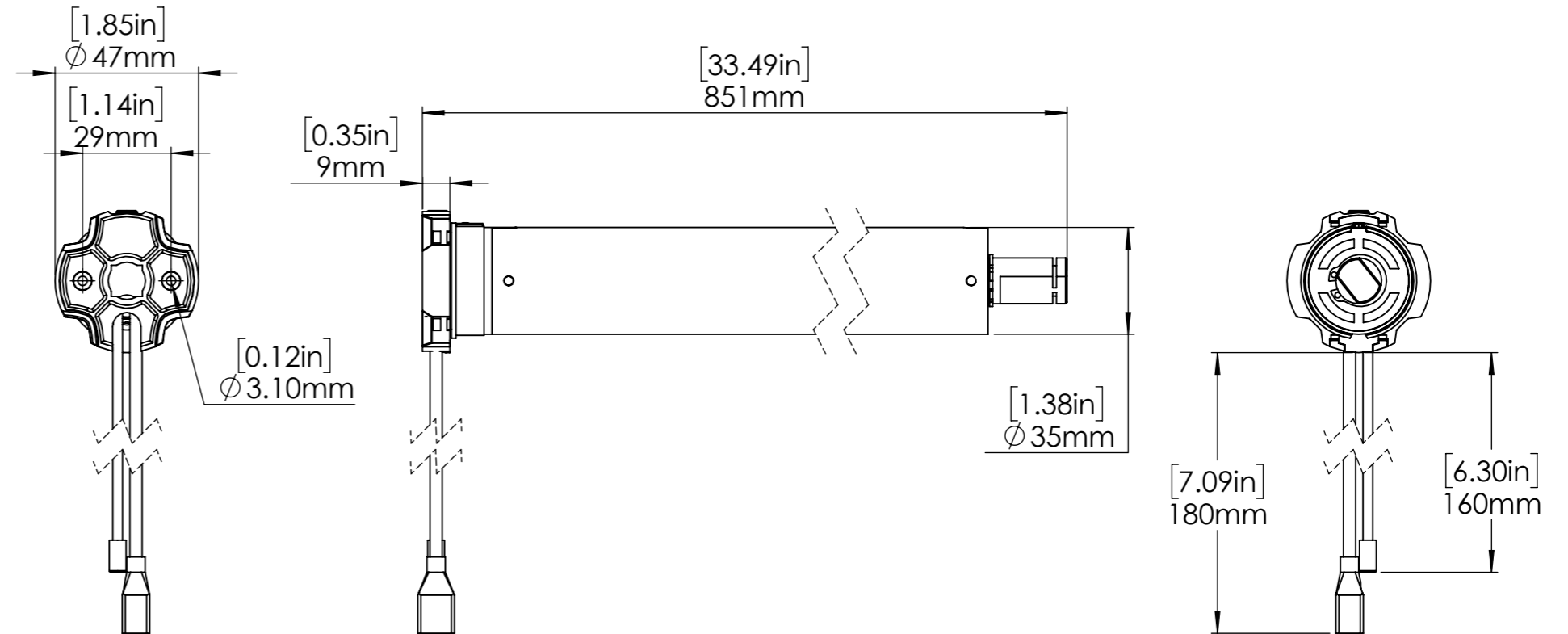
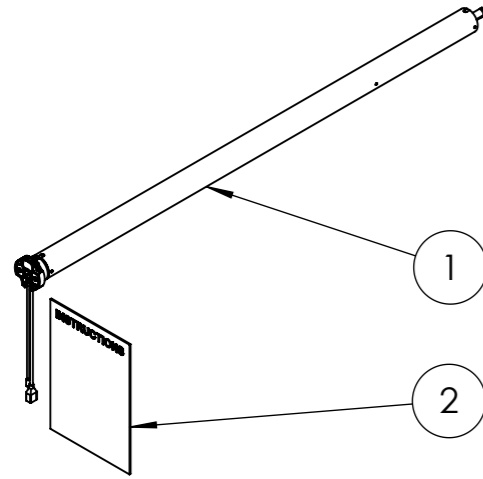


ITEM NO.	DESCRIPTION	QTY.
1	AUTOMATE LI-ION 3.0Nm ARC Motor [Ø35/5V/20rpm]	1
2	Installation Instructions	1



PRODUCT SPECIFICATION SHEET

ITEM DESCRIPTION: **AUTOMATE | LI-ION 3.0Nm ARC Motor [Ø35/5V/20rpm]**

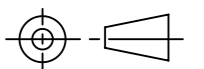
ITEM CODE: **MT01-1335-069001**



© ROLLESE ACMEDA

SCALE:1:2

DRAWN: 11 Jun 2019



www.rolleseeacmeda.com

PROPRIETARY & CONFIDENTIAL
THE INFORMATION CONTAINED IN THIS DRAWING IS THE SOLE PROPERTY OF ROLLESE ACMEDA. ANY REPRODUCTION IN PART OR WHOLE WITHOUT THE WRITTEN PERMISSION OF ROLLESE ACMEDA IS PROHIBITED.

DIMENSIONS IN "MM"

SIZE: **A3**

REV. **02**