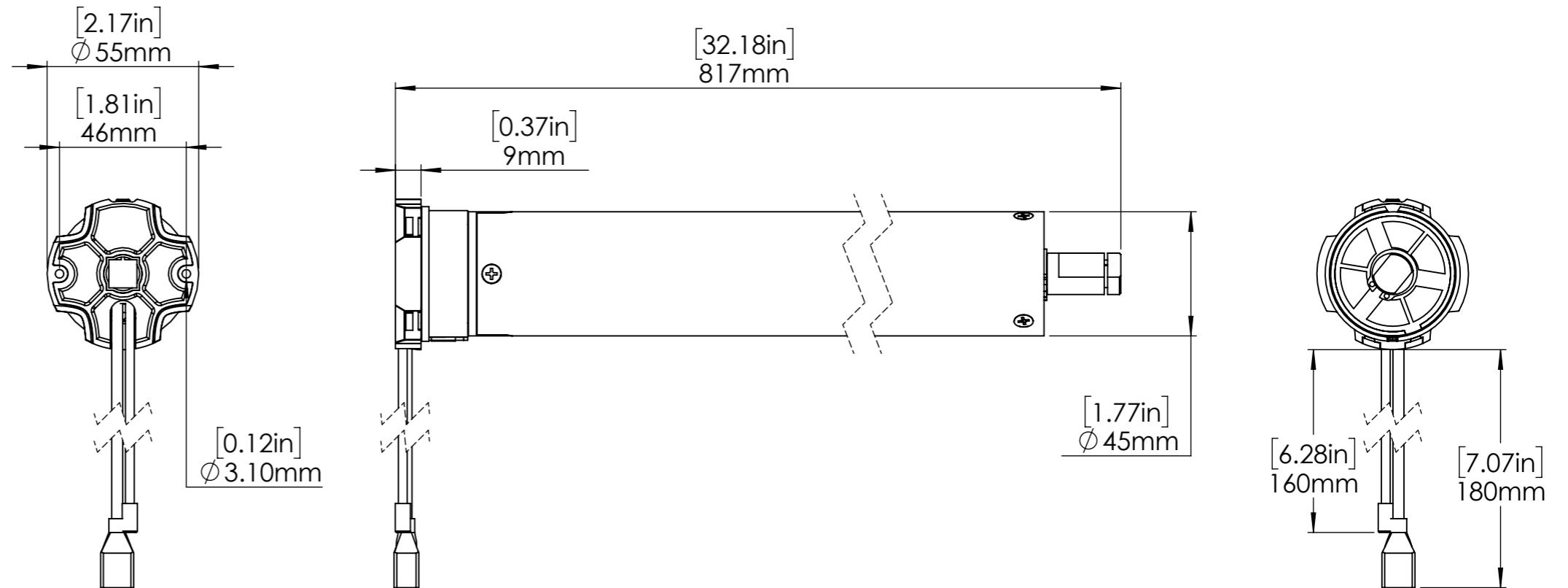
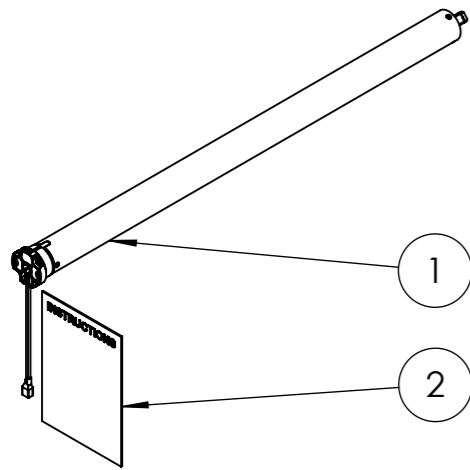


ITEM NO.	DESCRIPTION	QTY.
1	AUTOMATE   Q3.0Nm ARC Motor [Ø45/5V/20rpm]	1
2	Installation Instructions	1



## PRODUCT SPECIFICATION SHEET

ITEM DESCRIPTION: **AUTOMATE | LI-ION Q3.0Nm ARC Motor [Ø45/5V/20rpm]**

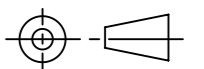
ITEM CODE: **MT01-1345-069001**



© ROLLEASE ACMEDA

SCALE:1:2

DRAWN: 11 Jun 2019



www.rolleasacmeda.com

PROPRIETARY & CONFIDENTIAL  
THE INFORMATION CONTAINED IN THIS DRAWING IS THE SOLE PROPERTY OF ROLLEASE ACMEDA. ANY REPRODUCTION IN PART OR WHOLE WITHOUT THE WRITTEN PERMISSION OF ROLLEASE ACMEDA IS PROHIBITED.

DIMENSIONS IN "MM"

SIZE: **A3**

REV. **02**