

5V Wand Motor 1.1Nm | 25mm

The motorized Roller shade system with the 5V Wand Motor & Wand Control offers a wire-free, rechargeable, easy to program and use solution to suit a large range of applications. The 25mm Automate motor suits with two tube diameters and a variety of applications.

**AESTHETICAL FEATURES**

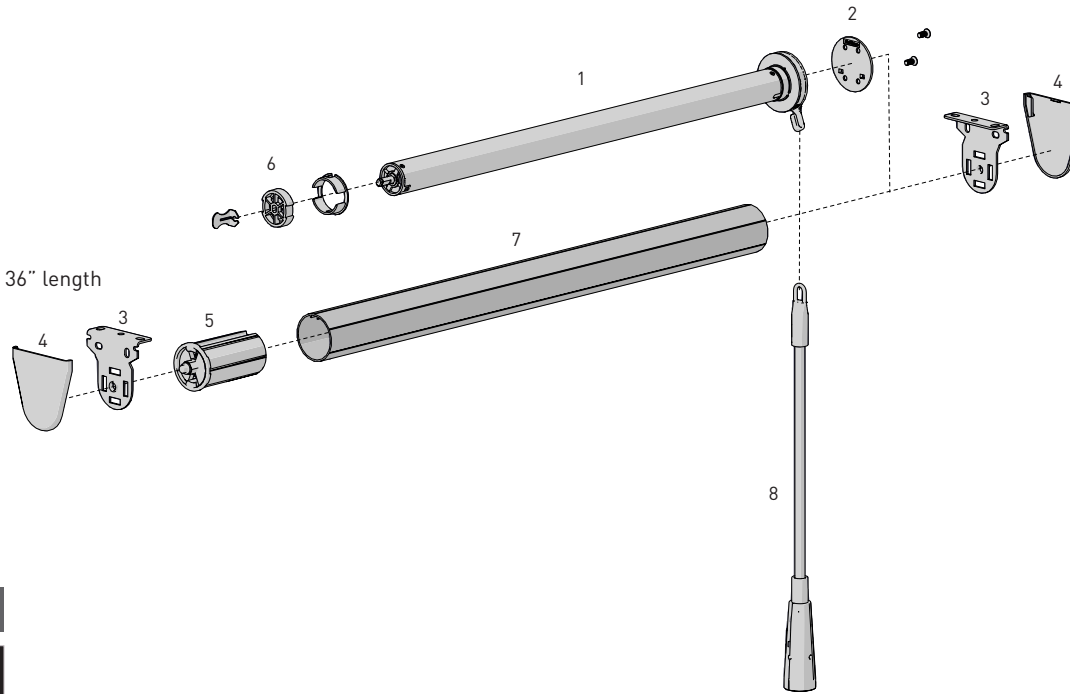
- Slim motor head for minimal light gap
- Motor cap to color match with brackets

**PRODUCTION & ASSEMBLY FEATURES**

- Greater flexibility with installation with spring loaded pin end
- Crown, drive and adaptors available to suit multiple tube sizes
- Smaller Motor end deduction

**FUNCTIONAL BENEFITS**

- Lithium-ion battery powered
- Electronic Limits
- Selectable Speed
- Favorite Position
- USB Charge
- Child Safe Wand Control available in White in 36" length



**SYSTEM INDEX**

1	Automate Motor   25mm MT01-1325-069021 - CT 5V LI-ION 1.1NM WAND MOTOR
2	Motorhead Adapters MTAD-252835 - R8 Series RB40-1402-069401 - S45 MTAD-252835-SL + Screws - Skyline Series
3	Brackets SLB###x - Skyline Bracket SLNB###x - Skyline Narrow Bracket SL01-0306-xxx040 - Skyline LX Bracket - 40mm pitch SL01-0306-xxx055 - Skyline LX Bracket - 55mm pitch
4	Bracket Covers SLBC###x - Skyline Bracket Cover SLNBC###x - Skyline Narrow Bracket Cover RB08-4151-xxx040 - Skyline LX Bracket Cover - 40mm RB08-4151-xxx055 - Skyline LX Bracket Cover - 55mm
5	Pin End SLPEV03xx - 1/4" Tube SLPEHD53xx - 1/2" Tube SLPEV653xx - 1/2" Tube
6	Crown & Drive Kit MT03-0109-069003 - 1/4" Tube MTCRDR-25-1.5 - 1/2" Tube
7	Aluminum Tube RTEA3T## - 1/4" Tube RTEA4T## - 1/2" Tube
8	Wand Control MT03-0301-069034

# = Size | xxx = Color

**COLOR RANGE**



**CONTROL OPTIONS**

USB-C CABLE



WAND CONTROL



ELECTRIC



SOLAR



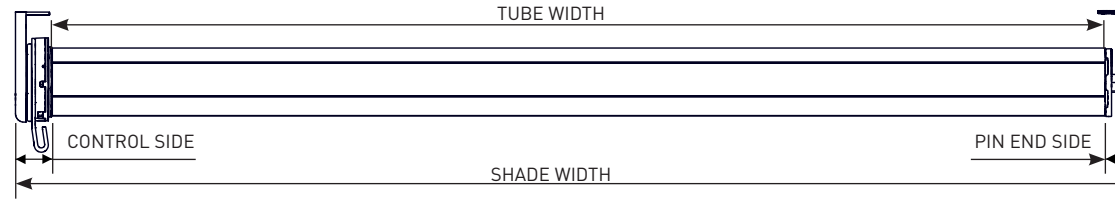
**CHARGERS**

**UPGRADES**

- CASSETTE  
80/100/120
- FASCIA 3"/4"/5"
- LINK SYSTEM
- POCKETS  
3"/4"/5"/6"

**SPECIFICATIONS**

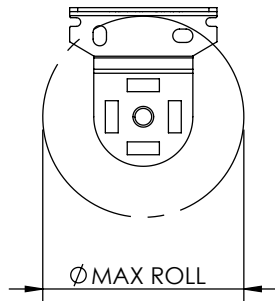
**DEDUCTION CHART**



MINIMUM SHADE WIDTH		
TUBE	MOTOR	LENGTH
1 1/4"	MT01-1325-069021-CT	22-3/8" [568mm]
1 1/2"	MT01-1325-069021-CT	20-7/8" [531mm]

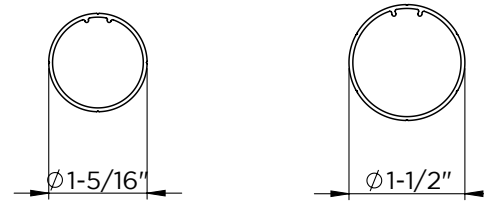
TUBE	BRACKETS	DEDUCTIONS			
		CONTROL END	PIN END	TOTAL	
1 1/4"	SKYLINE 1.5"	With Covers	11/16" [17mm]	9/16" [14mm]	1-1/4" [31mm]
		No Covers	9/16" [15mm]	1/2" [13mm]	1-1/8" [28mm]
	SKYLINE LX	With Covers	5/8" [16mm]	9/16" [14mm]	1-3/16" [30mm]
		No Covers	9/16" [15mm]	1/2" [13mm]	1-1/8" [28mm]
1 1/2"	SKYLINE 1.5"	With Covers	0.67" [17mm]	9/16" [15mm]	1-1/4" [32mm]
		No Covers	9/16" [15mm]	9/16" [14mm]	1-1/8" [29mm]
	SKYLINE LX	With Covers	5/8" [16mm]	9/16" [15mm]	1-1/4" [31mm]
		No Covers	9/16" [15mm]	9/16" [14mm]	1-1/8" [29mm]

**MAX ROLL**



BRACKET/SYSTEM	MAX ROLL SIZE
SLNBxx650xx	2-3/8" [59mm]
SLxx660xx	3" [76mm]
SLxx680xx	4" [102mm]
SL01-0306-xxx040	2-15/16" [74mm]
SL01-0306-xxx055	4-1/16" [103mm]

**TUBE SPECS.**



1 1/4" Tube		1 1/2" Tube	
Code:	RTEA3T12 (with tape)	Code:	RTEA4T12 (with tape) RTEA4U12 RTEA4T16 (with tape) RTEA4U16
Length	12',16' [3.66m, 4.88m]	Length	12',16' [3.66m, 4.88m]

MOTORS	MAX LIFTING CAPACITY		MAX DROP*
	1-1/4" TUBE	1-1/2" TUBE	
1.1Nm	15.1lbs [6.8kg]	12.8lbs [5.8kg]	13.1' [4m]

\* Recommended Max Drop. Exceeding this value may cause fabric tracking issues

**SYSTEM CAPACITY**

