

R-Series 3.0Nm | 35mm | 12V

The motorized R-Series roller shade system offers a range of four Automate motors with one tube diameter to suit a variety of applications. Featuring ARC (Automate Radio Communication), the 35mm R-Series Automate system provides an intelligent, Li-ion battery, AC, or a DC powered solution.

AESTHETIC FEATURES

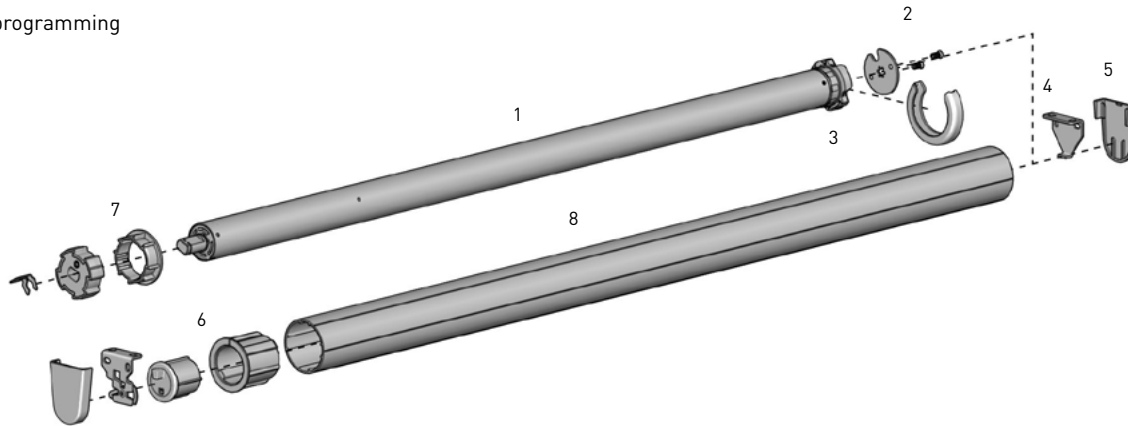
- Slim motor head for minimal light gap

ASSEMBLY / PRODUCTION FEATURES

- Crown, drive and adapters available to suit variety applications

FUNCTIONAL BENEFITS

- Leveling control
- Simple limit setting and adjustment
- Favorite position
- 3 operational speed settings
- 2-way RF communication
- ARC protocol for simple programming



SYSTEM INDEX

1	Automate Motor 35mm MTDCBRF35-3 - Li-ion 3.0 MTDCRF35-3 - DCRF 3.0 MTACRF35-6 - ACRF 6 MTACQRF35-6 - ACRF Q6
2	Motor Adaptor + Screws MTAD-252835-RS + SLAMSCREW
3	Motor Cap MTCAP25xx
4	Brackets RB360xx - R8 1½" Set RB380xx - R8 2" Set RB390xx - R8 2-7/8" Set
5	Bracket Covers RBPC360xx RBPC380xx
6	Pin End + Adapter REP53xx + RA2xx - for 2" tube
7	Crown and Drive Kit MTCRDR-35-2 - Kit for 2" tube
8	Aluminum Tube RTEA5T## - 2" tube

- Size
xxx= Color

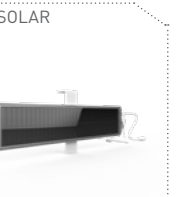
COLOR RANGE



SYSTEM UPGRADES

- CASSETTE 80/100/120
- FASCIA 3"/4"/5"
- LINK SYSTEM
- POCKETS 3"/4"/5"/6"

CONTROL OPTIONS

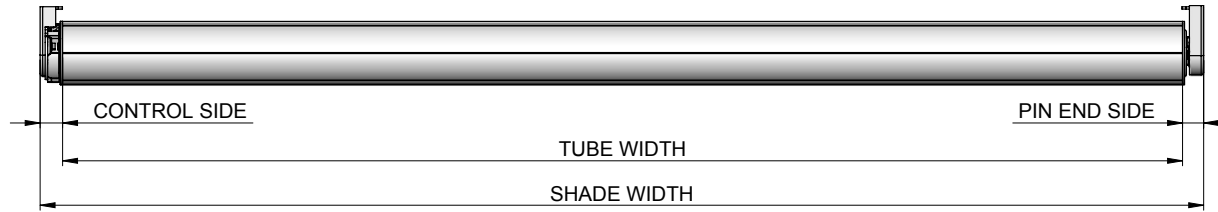


PRODUCT OPTIONS



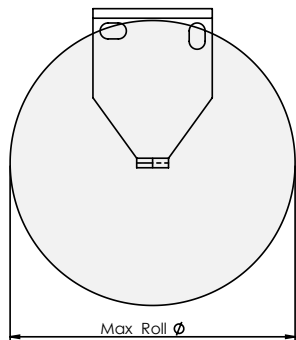
SPECIFICATIONS

DEDUCTION CHART



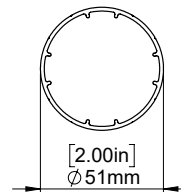
MOTOR	TUBE	BRACKETS	LIGHT GAP				MINIMUM SHADE WIDTH	
			CONTROL END	PIN END	OVERALL			
MTDCBRF35-3/ MTDCRF35-3/ MTACRF35-6/ MTACQRF35-6	2"	With Covers	0.71" [18mm]	0.67" [17mm]	1.38" [35mm]		MTDCBRF35-3	3.28' [1.00m]
							MTDCRF35-3	2.00' [0.60m]
		No Covers	0.63" [16mm]	0.59" [15mm]	1.22" [31mm]		MTACRF35-6	2.40' [0.73m]
							MTACQRF35-6	2.30' [0.70m]

MAX ROLL



BRACKET	MAX ROLL SIZE
RB360xx	2.57" [69mm]
RB380xx	3.65" [92mm]
RB390xx	4.00" [101mm]

TUBE SPECS.



2.0" Tube

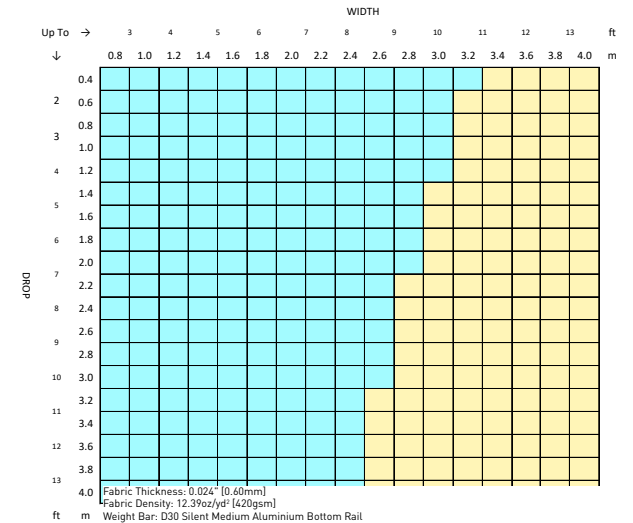
Code: RTEA5T12 (with tape)
RTEA5U12
RETA5T16(with tape)
RTEA5U16

Length 12',16'
[3.66m, 4.88m]

2" TUBE	
@ WIDTH	MAX DROP
10.50' [3.20m]	1.31' [0.40m]*
7.87' [2.40m]	13.12' [4.00m]*

* Recommended Max Drop. Exceeding this value may cause fabric tracking issues

SYSTEM CAPACITY



CONTROL	TUBE	LINK SYSTEM
35mm Tube	RTEA5## - 2.0"	