

**S45 AUTOMATE 1.1Nm | 25mm**

The motorized 25mm 1.1Nm S45 roller shade system offers two motors for multiple tube diameters to suit a variety of applications. Featuring ARC (Automate Radio Communication), the motorized 25mm 1.1Nm S45 system provides an intelligent, Li-ion battery or DC powered solution.

**AESTHETICAL FEATURES**

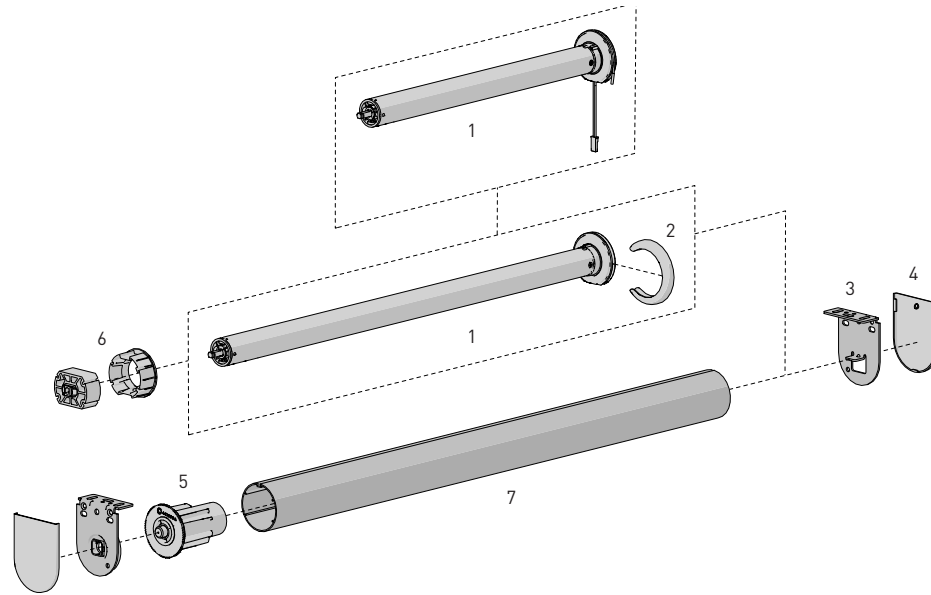
- Thinner 5V Motor Head
- Motor cap to color match with brackets

**PRODUCTION & ASSEMBLY FEATURES**

- Greater flexibility with installation with extendable pin end
- Crown, drive and adaptors available to suit multiple tube sizes
- Smaller Motor end deduction

**FUNCTIONAL BENEFITS**

- 5V Micro USB Charging
- Antennae Wire Retention Feature
- Levelling control
- Simple limit setting and adjustment
- Favorite position
- 3 operational speed settings
- 2-WAY RF communication
- ARC protocol for simple programming



**SYSTEM INDEX**

1	Automate Motor   25mm MT01-1225-069004 - DCRF 1.1Nm 12V MT01-1325-069017 - Li-ion 1.1Nm 5V ZERO CT20
2	Motor Cap MT03-0502-027001 - Chrome - 5V ZERO ONLY MT03-0502-034001 - Satin Nickle - 5V ZERO ONLY MT03-0502-043001 - Brass - 5V ZERO ONLY MT03-0502-059001 - Black - 5V ZERO ONLY MT03-0502-077001 - White - 5V ZERO ONLY MT03-0502-079001 - Antique Bronze 5V ZERO ONLY MT03-0502-091001 - Gun Metal - 5V ZERO ONLY
3	Brackets RB09-0352-xxx0XX - Li-ion ZERO Brackets RB40-9355-xxx0XX - DCRF Brackets
4	Bracket Covers RB08-4151-xxx0XX RB08-4152-xxx0XX
5	Pin End RB09-0245-xxx001
6	Crown & Drive Set   25mm MT03-0103-069004
7	S45 T-Spline Aluminum Tubes RB93-X443-000490 - Light RB93-X444-000490 - Standard RB93-X449-000490 - Heavy Duty

# = Size  
xxx = Color  
X = catalogue options

**COLOUR RANGE**



**CONTROL OPTIONS**

<p>REMOTES</p>	<p>WALL SWITCH</p>	<p>SMART HOME</p>	<p>PULSE</p>	<p>ELECTRIC</p>	<p>SOLAR</p>
----------------	--------------------	-------------------	--------------	-----------------	--------------

**CHARGERS**

**OPTIONS**

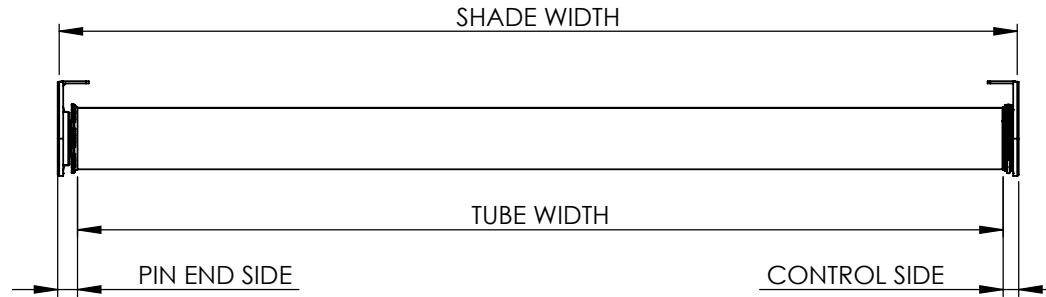
SUN SENSOR

**SYSTEM UPGRADES**

- CF90 CASSETTE
- CF90 EDGE
- LINK SYSTEM

SPECIFICATIONS

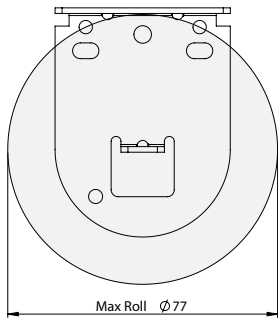
DEDUCTION CHART



MOTOR	MINIMUM SHADE WIDTH
MT01-1225-069004	15-3/16" [386mm]
MT01-1325-069017	25-1/4" [642mm]

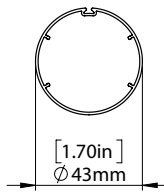
MOTOR	BRACKETS	LIGHT GAP		TUBE DEDUCTION
		CONTROL END	PIN END	
MT01-1225-069004 MT01-1325-069017	With Covers	1/2" [13mm]	9/16" [14mm]	1-1/16" [27mm]
	No Covers	1/2" [12mm]	1/2" [13mm]	1" [25mm]
+ Motor Cap	With Covers	9/16" [14mm]	9/16" [14mm]	1-1/8" [28mm]
	No Covers	1/2" [12mm]	1/2" [13mm]	1" [25mm]

MAX ROLL



BRACKET	MAX ROLL SIZE
RB09-0352-xxx040	3.03" [77mm]
RB09-0352-xxx050	4.13" [105mm]

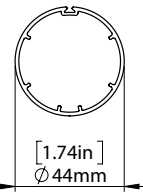
TUBE SPECS.



S45 Light Tube

Code RB93-0443-000490  
w. tape RB93-6443-000490

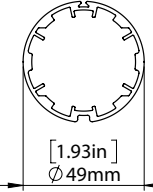
Length 16' [4.88m]



S45 STD Tube

Code RB93-0444-000490  
w. tape RB93-6444-000490

Length 16' [4.88m]



S45 HD Tube

Code RB93-0449-000490  
w. tape RB93-6449-000490

Length 16' [4.88m]

MAX LIFTING CAPACITY				MAX DROP**
MOTORS	S45 LT	S45 STD	S45 HD	S45
1.1Nm	11.4lbs [5.2kg]	11.2lbs [5.1kg]	10.1lbs [4.6kg]	13.1' [4m]

Exceeding these value may cause fabric tracking issues

SYSTEM CAPACITY

