

Skyline 2.0Nm | 28mm

The motorized 28mm 2.0Nm Skyline roller shade system offers multiple tubes to suit a variety of applications. Featuring ARC (Automate Radio Communication), the 28mm 2.0Nm Skyline system provides an intelligent Li-ion battery powered solution.

AESTHETICAL FEATURES

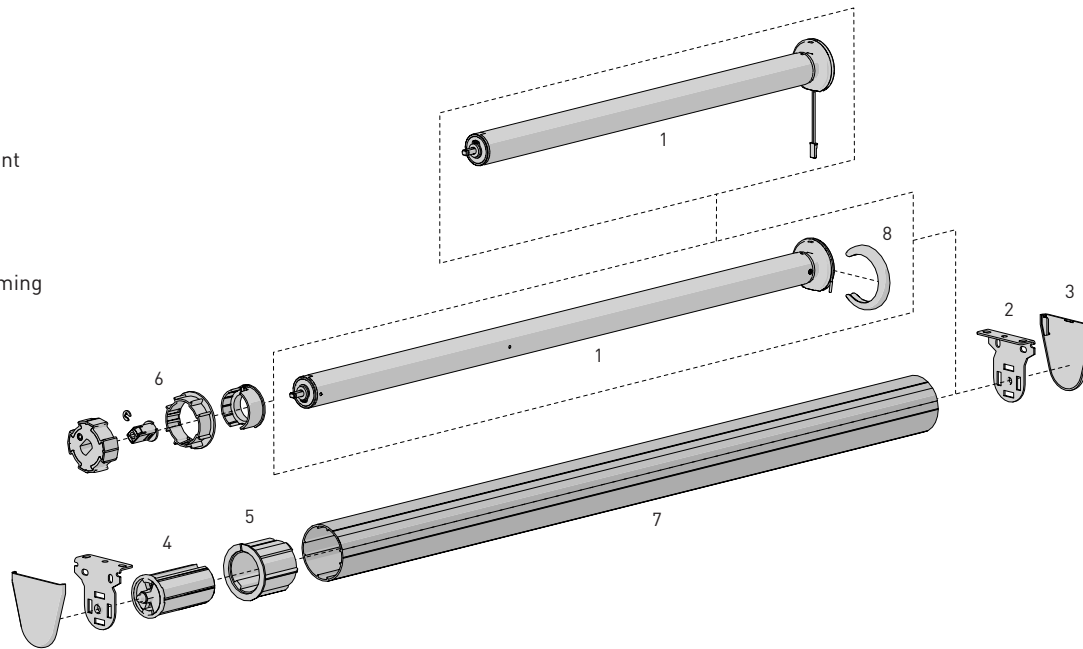
- Thinner Motor Head
- Motor cap to color match with brackets

PRODUCTION & ASSEMBLY FEATURES

- Smaller Motor end deduction
- Greater flexibility during installation with spring loaded pin end
- Crown, drive and adaptors available to suit variety of tube sizes

FUNCTIONAL BENEFITS

- 5V Micro USB Charging
- Antennae Wire Retention Feature
- Levelling control
- Simple limit setting and adjustment
- Favorite position
- 3 operational speed settings
- ARC protocol for simple programming
- 2-WAY RF communication



SYSTEM INDEX

Automate Motor 28mm	
MT01-1228-069002 - DCRF 2.0Nm 28rpm 12V ZERO	
1	MT01-1328-069001 - Li-ion 2.0Nm 20rpm 5V ZERO
	MT01-1328-069004 - Li-ion 2.0Nm 20rpm 5V ZERO CT15
	MT01-1328-069006 - Li-ion 2.0Nm 28rpm 5V ZERO CT15
Brackets	
SLB###x - Skyline Bracket	
2	SLNB###x - Skyline Narrow Bracket
	SL01-0306-xxx040 - Skyline LX Bracket - 40mm pitch
	SL01-0306-xxx055 - Skyline LX Bracket - 55mm pitch
Bracket Covers	
SLBC###x - Skyline Bracket Cover	
3	SLNBC###x - Skyline Narrow Bracket Cover
	RB08-4151-xxx040 - Skyline LX Bracket Cover - 40mm
	RB08-4151-xxx055 - Skyline LX Bracket Cover - 55mm
Pin End	
4	SLPEHD53xx
Adaptor	
5	RA2xx - for 2" Tube
Crown & Drive Kit	
6	MT03-0110-069002 - Kit for 1½" Tube
	MTCRDR-28-2 - Kit for 2" Tube
Aluminum Tube	
7	RTEA4T## - 1½" Tube
	RTEA5T## - 2" Tube
Motor Cap	
MT03-0502-027001 - Chrome - Li-ion ZERO	
MT03-0502-034001 - Satin Nickel - Li-ion ZERO	
MT03-0502-043001 - Brass - Li-ion ZERO	
MT03-0502-059001 - Black - Li-ion ZERO	
MT03-0502-077001 - White - Li-ion ZERO	
8	MT03-0502-079001 - Antique Bronze - Li-ion ZERO
	MT03-0502-091001 - Gun Metal - Li-ion ZERO
	MTCAP-25-BK -Black - for DCRF
	MTCAP-25-W - White - for DCRF
	MTCAP-25-AB - Antique Bronze - for DCRF
	MTCAP-25-SN - Satin Nickel - for DCRF

= Size | xxx= Color

CONTROL OPTIONS

<p>REMOTES</p>	<p>WALL SWITCH</p>	<p>SMART HOME</p>	<p>PULSE</p>	<p>ELECTRIC</p>	<p>SOLAR</p>	<p>SUN SENSOR</p>
-----------------------	---------------------------	--------------------------	---------------------	------------------------	---------------------	--------------------------

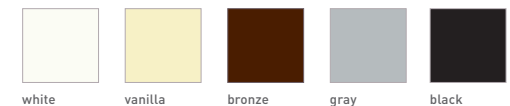
CHARGERS

OPTIONS

UPGRADES

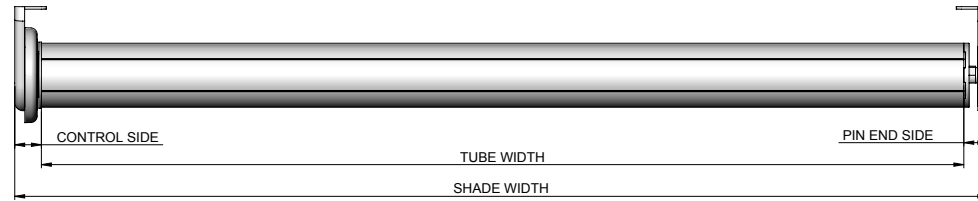
COLOR RANGE

- CASSETTE 80/100/120
- FASCIA 3"/4"/5"
- LINK SYSTEM
- POCKETS 3"/4"/5"/6"



SPECIFICATIONS

DEDUCTION CHART

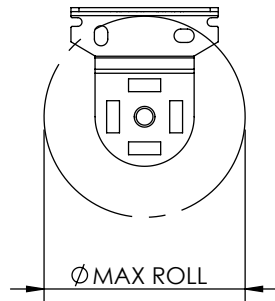


MINIMUM SHADE WIDTH		
TUBE	MOTOR	LENGTH
1 1/2"	MT01-1228-069002	21-1/2" [546mm]
	MT01-1328-06900X	29-15/16" [760mm]
2"	MT01-1228-069002	21-5/16" [541mm]
	MT01-1328-06900X	29-11/16" [754mm]

MOTOR	TUBES	BRACKETS	DEDUCTIONS		
			CONTROL END	PIN END	TOTAL
MT01-1228-069002 MT01-1328-069001 MT01-1328-069004 MT01-1328-069006	1-1/2"	With Covers	11/16" [17mm]	5/8" [16mm]	1-5/16" [33mm]*
		No Covers	9/16" [15mm]	9/16" [14mm]	1-1/8" [29mm]
	2"	With Covers	11/16" [17mm]	9/16" [15mm]	1-1/4" [32mm]
		No Covers	5/8" [16mm]	9/16" [14mm]	1-3/16" [30mm]

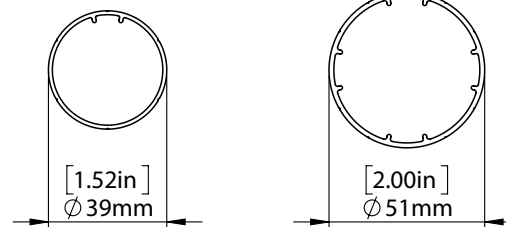
NOTES:
* DEDUCT 1MM FROM BRACKET COVERS TOTAL FOR LX SKYLINE BRACKET + COVERS VALUES.

MAX ROLL



BRACKET/SYSTEM	MAX ROLL SIZE
SLNBxx650xx	2-3/8" [59mm]
SLxx660xx	3" [76mm]
SLxx680xx	4" [102mm]
SL01-0306-xxx040	2-15/16" [74mm]
SL01-0306-xxx055	4-1/16" [103mm]

TUBE SPECS.



1 1/2" Tube

Code: RTEA4T12 (with tape)
RTEA4U12
RTEA4T16 (with tape)
RTEA4U16

Length 12',16'
[3.66m, 4.88m]

2" Tube

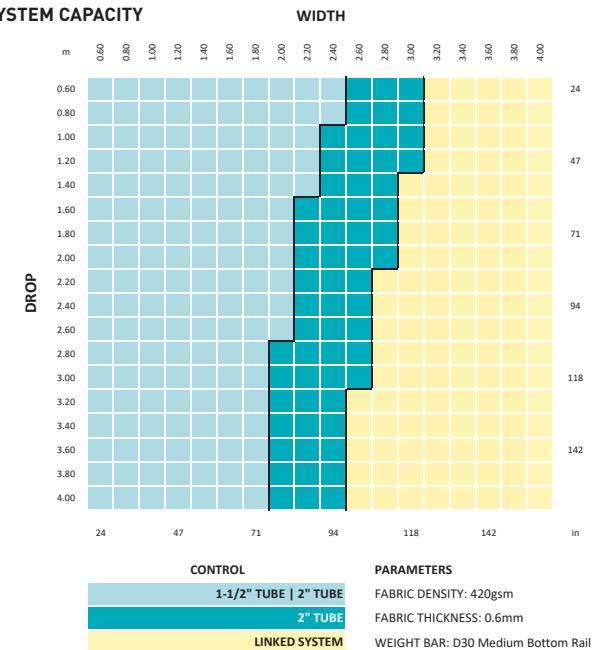
Code: RTEA5T12 (with tape)
RTEA5U12
RTEA5T16 (with tape)
RTEA5U16

Length 12',16'
[3.66m, 4.88m]

MOTORS	MAX LIFTING CAPACITY		MAX DROP*
	1-1/2" TUBE	2" TUBE	
2.0Nm	23.3lbs [10.6kg]	17.6lbs [8.0kg]	13.1' [4m]

* Recommended Max Drop. Exceeding this value may cause fabric tracking issues

SYSTEM CAPACITY



PARAMETERS
FABRIC DENSITY: 420gsm
FABRIC THICKNESS: 0.6mm
WEIGHT BAR: D30 Medium Bottom Rail
CONTROL: 2.0Nm MOTORS