

S45 AUTOMATE 3.0Nm & 6.0Nm | 35mm

The motorized S45 roller shade system offers a range of four Automate motors with three tube diameters to suit a variety of applications. Featuring ARC (Automate Radio Communication), the 35mm S45 Automate system provides an intelligent, Li-ion battery or DC powered solution.

AESTHETICAL FEATURES

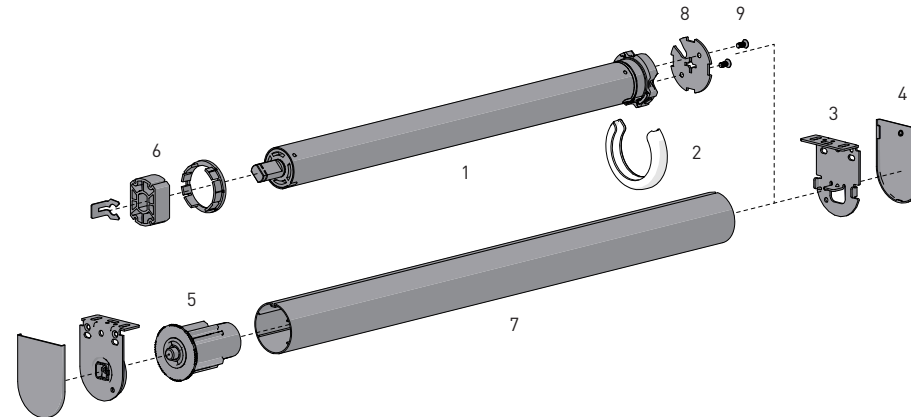
- Slim and compact roller shade system
- Contemporary design
- Motor cap to color match with brackets

PRODUCT FEATURES

- Easy-Lock effortless installation
- Easy limit setting and programming

FUNCTIONAL FEATURES

- Levelling control
- Simple limit setting and adjustment
- Favorite position
- 3 operational speed settings
- 2-way RF communication
- ARC protocol for simple programming



SYSTEM INDEX

1	Automate Wirefree Motor MT01-1335-069001 - Li-ion 3.0 5V MTDCBRF35-3 - Li-ion Q3.0 12V MTDCRF35-3 - DCRF 3.0 12V MTACRF35-6 - ACRF 6 12V MTACQRF35-6 - ACRF Q6 12V
2	Motor Cap MTCAP-28-BK - Black - 12V ONLY MTCAP-28-W - White - 12V ONLY MTCAP-28-AB - Antique Bronze - 12V ONLY MTCAP-28-SN - Satin Nickle - 12V ONLY
3	Brackets RB40-8355-xxx040 RB40-9355-xxx040
4	Bracket Covers RB08-4151-xxx040
5	Pin End RB09-0245-xxx001
6	Crown & Drive Set MTCRDR-35-S45
7	S45 T-Spline Aluminum Tubes RB93-X443-000490 - Light RB93-X444-000490 - Standard RB93-X449-000490 - Heavy Duty
8	Adaptor RB40-1402-069400
9	Screws for Adaptor SLAMSCREW

- Size
xxx= Color

COLOUR RANGE



CONTROL OPTIONS

<p>REMOTES</p>	<p>WALL SWITCH</p>	<p>SMART HOME</p>	<p>PULSE</p>	<p>ELECTRIC</p>	<p>SOLAR</p>
----------------	--------------------	-------------------	--------------	-----------------	--------------

OPTIONS

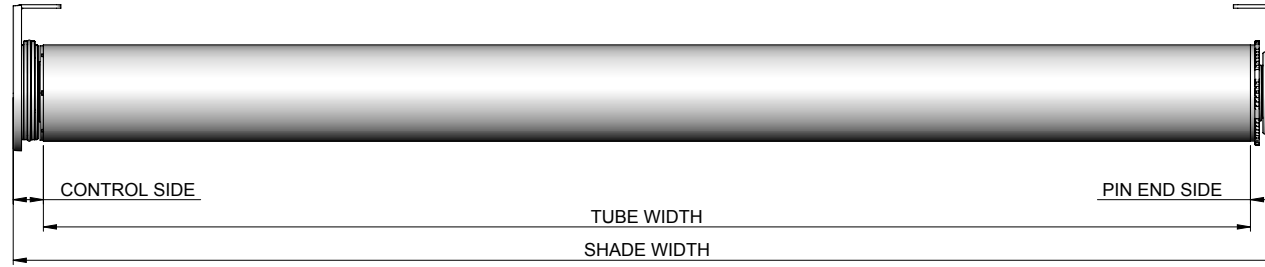
SUN SENSOR

SYSTEM UPGRADES

- CF90 CASSETTE
- CF90 EDGE
- LINK SYSTEM

SPECIFICATIONS

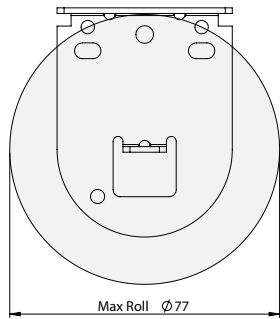
DEDUCTION CHART



MOTOR	MINIMUM SHADE WIDTH
MT01-1335-069001	3.1' [0.950m]
MTDCBRF35-3	3.1' [0.950m]
MTDCRF35-3	1.8' [0.550m]
MTACRF35-6	2.2' [0.670m]
MTACQRF35-6	2.1' [0.630m]

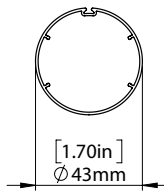
MOTOR	BRACKETS	LIGHT GAP		TUBE DEDUCTION
		CONTROL END	PIN END	
MT01-1335-069001 MTDCBRF35-3 MTDCRF35-3 MTACRF35-6 MTACQRF35-6	With Covers	0.67" [17mm]	0.55" [14mm]	1.22" [31mm]
	No Covers	0.63" [16mm]	0.51" [13mm]	1.14" [29mm]

MAX ROLL



BRACKET	MAX ROLL SIZE
RB09-9355-xxx040	3.03" [77mm]
RB09-0352-xxx050	4.13" [105mm]

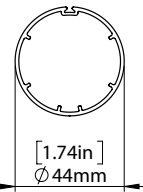
TUBE SPECS.



S45 Light Tube

Code RB93-0443-000490
w. tape RB93-6443-000490

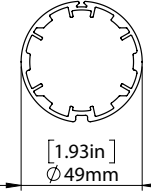
Length 16' [4.88m]



S45 STD Tube

Code RB93-0444-000490
w. tape RB93-6444-000490

Length 16' [4.88m]



S45 HD Tube

Code RB93-0449-000490
w. tape RB93-6449-000490

Length 16' [4.88m]

MAX LIFTING CAPACITY				MAX DROP**
MOTORS	S45 LT	S45 STD	S45 HD	S45
3.0Nm	31.2lbs [14.1kg]	30.5lbs [13.9kg]	27.5lbs [12.5kg]	13.1' [4m]

Exceeding these value may cause fabric tracking issues

SYSTEM CAPACITY

