

## Skyline Automate | 28mm

The motorized Skyline roller shade system offers two Automate motors for two tube diameters to suit a variety of applications. Featuring ARC (Automate Radio Communication), the 28mm Skyline Automate system provides an intelligent, Li-ion battery or a DC powered solution.

**AESTHETIC FEATURES**

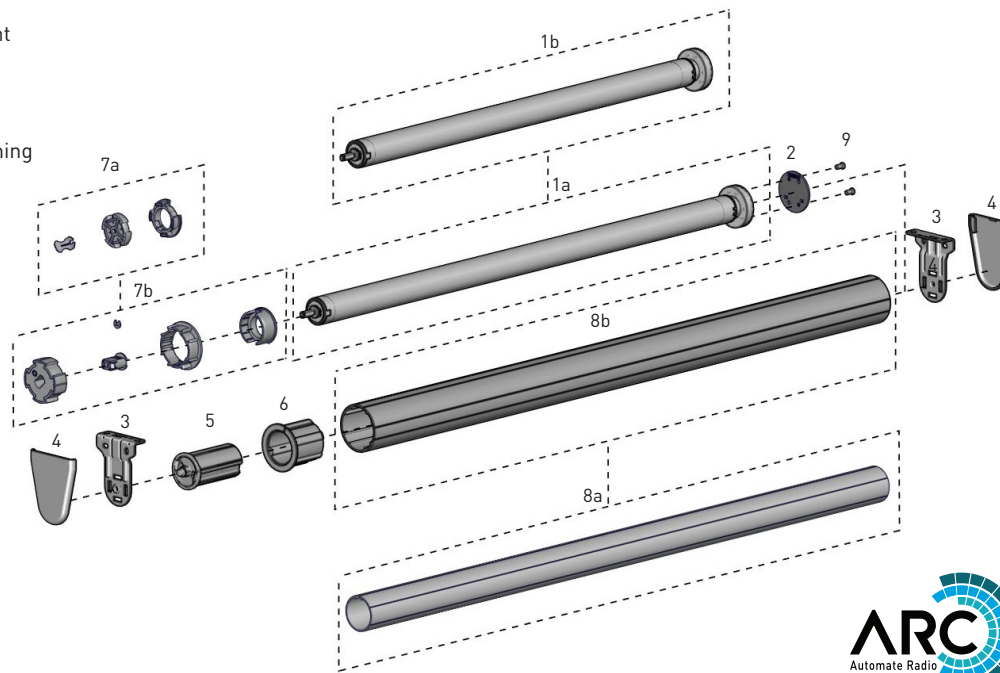
- Slim motor head for minimal light gap

**ASSEMBLY / PRODUCTION FEATURES**

- Greater flexibility with installation with spring loaded pin end
- Crown, drive and adapters available to suit variety of tube sizes

**FUNCTIONAL BENEFITS**

- Leveling control
- Simple limit setting and adjustment
- Favorite position
- 3 operational speed settings
- 2-way RF communication
- ARC protocol for simple programming



## SYSTEM INDEX

- Automate Motor | 28mm
  - MTDCBRFQ28-2 - Li-ion Q2.0
  - MTDCRFQ28-2 - DCRF Q2.0
- Motor Adapter  
MTAD-252835-SL
- Brackets  
SLB###x  
SLNB###x
- Bracket Covers  
SLBC###x  
SLNBC###x
- Pin End  
SLPEHD53xx
- Adapter  
RA2xx
- Crown and Drive Kit
  - MTC03-0110-069002 - Kit for 1.5" tube
  - MTCRDR-28-2 - Kit for 2" tube
- Aluminium Tube
  - RTEA4T## - 1.5" tube
  - RTEAST## - 2" tube
- Screws for Adapter  
SLAMSCREW

## PRODUCT OPTIONS

## SUN SENSOR



## SYSTEM UPGRADES

- CASSETTE 80/100/120
- FASCIA 3"/4"/5"
- LINK SYSTEM
- POCKETS 3"/4"/5"/6"

## CONTROL OPTIONS

## PARADIGM REMOTES



## WALL SWITCH



## SMART HOME



## PULSE



## CHARGERS

## ELECTRIC

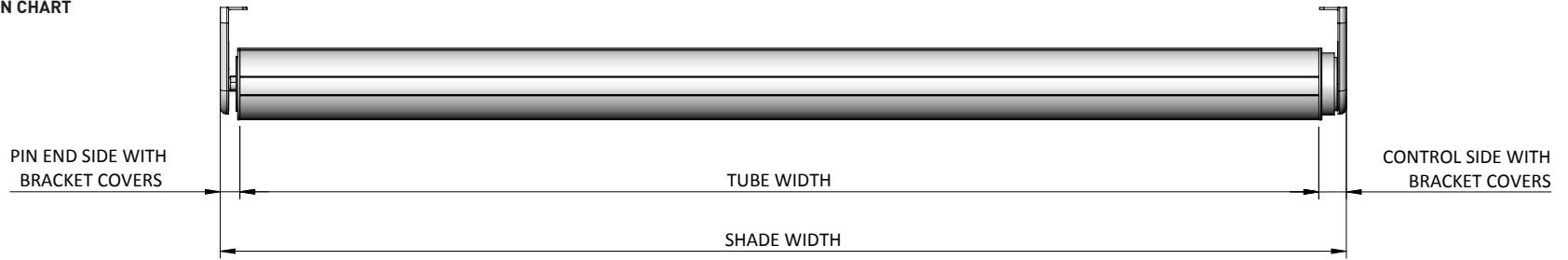


## SOLAR



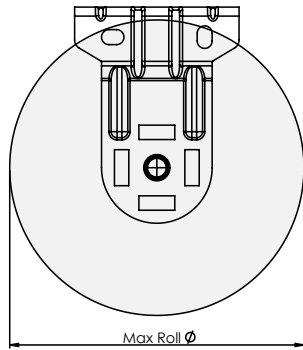
SPECIFICATIONS

DEDUCTION CHART



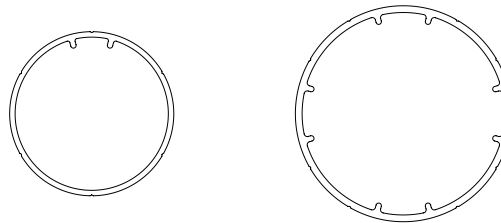
MOTOR	TUBE	BRACKET	PIN END	CONTROL SIDE	OVERALL DEDUCTION
MTDCBRFQ28-2/ MTDCRFQ28-2	1.5" Tube	With Bracket Covers	.59" [15mm]	.79" [20mm]	1.38" [35mm]
		No Bracket Covers	.51" [13mm]	.75" [19mm]	1.26" [32mm]
	2.0" Tube	With Bracket Covers	.55" [14mm]	.75" [19mm]	1.30" [33mm]
		No Bracket Covers	.51" [13mm]	.71" [18mm]	1.22" [31mm]

MAX ROLL



BRACKET	MAX ROLL SIZE
SLxx650xx	2.35" [59.0mm]
SLxx660xx	3" [76.2mm]
SLxx680xx	4" [101.6mm]
SLxx690xx	5" [127.5mm]

TUBE SPECS



1.5" Tube

Code: RTEA4T12  
RTEA4T16  
OD: 1.5" [38mm]  
Length: 12', 16'  
[3.66m, 4.88m]

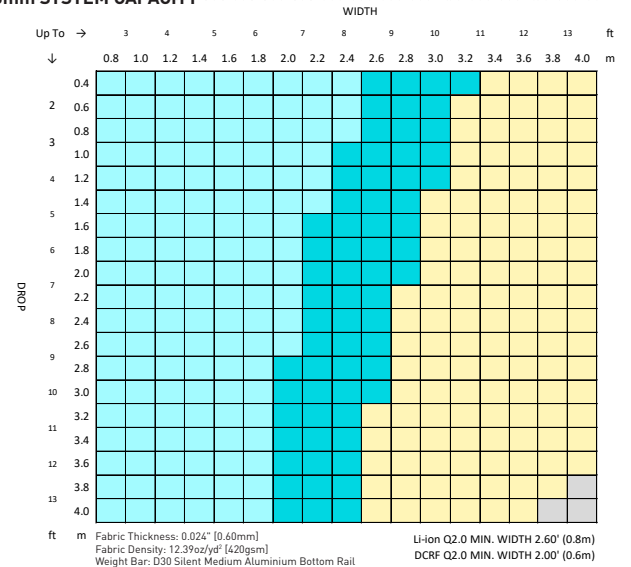
2.0" Tube

Code: RTEA5T12 (with tape)  
RTEA5U12  
RETA5T16 (with tape)  
RTEA5U16  
OD: 2.0" [51mm]  
Length: 12', 16'  
[3.66m, 4.88m]

MAX DROP	
1.5" TUBE	2.0" TUBE
10.17' [3.10m]**	4.59' [1.40m]**
13.12' [4.00m]*	13.12' [4.00m]*

\* Recommended Max Drop. Exceeding this value may cause fabric tracking issues  
\*\* SLxx650xx ONLY

28mm SYSTEM CAPACITY



CONTROL	TUBE	LINK SYSTEM
28mm Motor	RTEA4T## - 1.5"	
	RTEA5T## - 2.0"	
OUTSIDE SPECIFICATIONS		