

## ROMAN AND CELLULAR SHADE SYSTEM & MOTORIZED CONTROL

Roman and Cellular Shade System offer an elegant square profile, housing operating mechanisms designed for efficient and smooth operation.

### AESTHETICAL FEATURES

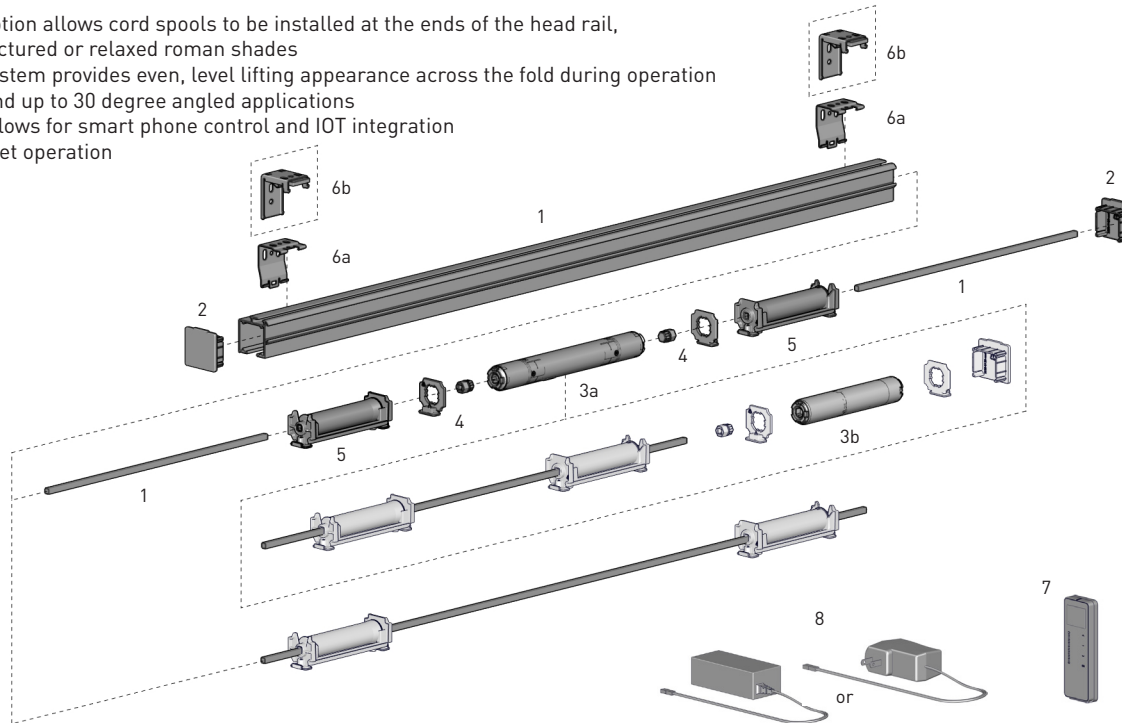
- Contemporary slimline aluminium profile
- End covers for a neat overall finish

### PRODUCTION & ASSEMBLY FEATURES

- Low profile non obtrusive mounting clips
- Optional spline or hook and loop touch tape fabric attachment
- Effortless installation

### FUNCTIONAL BENEFITS

- CL 0.8 motor option allows cord spools to be installed at the ends of the head rail, ideal for unstructured or relaxed roman shades
- Guided spool system provides even, level lifting appearance across the fold during operation
- Straight drop and up to 30 degree angled applications
- ARC protocol allows for smart phone control and IOT integration
- Smooth and quiet operation

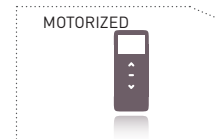


## SYSTEM INDEX

1	SS38 Head Rail [incl. crimp tape + rod] SS38-0130-xxx580
2	SS38 Head Rail End Cap SS38-0120-xxx040
	Cord Lift Motor MT01-3001-069001 - CL 0.8 Cord Lift Motor GLOBAL MTDCRF-CL-0.6-50 - CL 0.6 Cord Lift Motor US ONLY
4	Cord Lift Motor Adapter Kit MTAD-CLHRSS38KT
5	SS38 Spool cone SS38-8341-580451 - Standard Spool SS38-8331-050069 - Slim Spool
	SS38 Mounting Clip/Bracket SS38-0212-xxx034 - Low Profile GLOBAL SS38-0232-069030 - Spring loaded AU, EU ONLY
7	Remotes & Switches [see catalog for options]
8	Power Solutions & Extension Cables MTDCPS-18-25 - Power Supply for DCRF Motor 25mm MTDCPS-28-35-45 - Power Supply for DCRF Motor 28/35/45

xxx= colour

## CONTROL OPTIONS



## MOTOR OPTIONS

### Pulse HUB & App



### Smart Home



### Sun Sensor

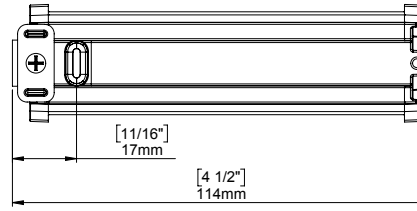


**SPECIFICATIONS**

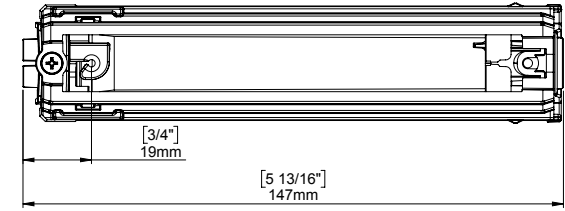
**MAX LIFT WEIGHT**

	STANDARD	SLIM
<b>0.8 Nm Motor</b>	5.3 kg [11.7 lbs]	7.2 kg [15.9 lbs]
<b>0.6 Nm Motor</b>	3.4 kg [7.5 lbs]	4.6 kg [10.1 lbs]

**SPOOL OPTIONS**



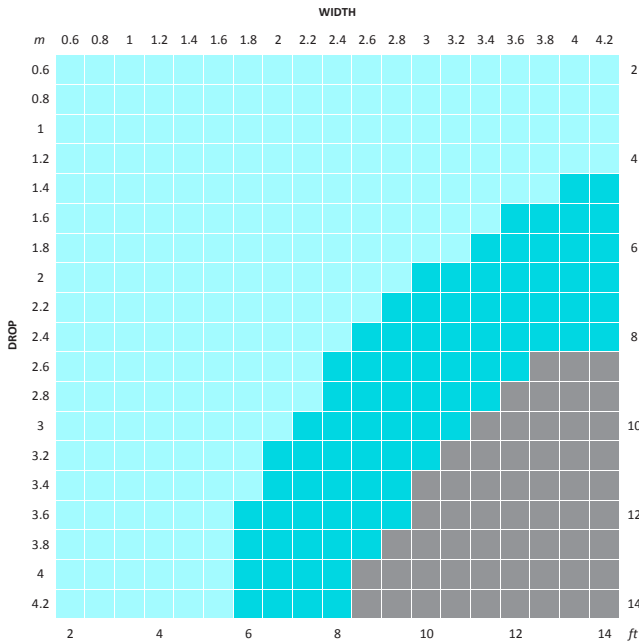
STANDARD SPOOL



SLIM SPOOL

**SYSTEM CAPACITY**

**MOTOR**



LEGEND	DESCRIPTION
	0.6 Nm Motor
	0.8 Nm Motor
	CANNOT BE ACHIEVED - OUTSIDE PRODUCT SPECIFICATIONS

**Note:** This lift chart only represents the SS38 System, all the other systems should be calculated on demand.

<b>HEADRAIL PROFILE</b>	Turnits Headrail 	SWF Headrail 	Hunter Douglas 	Lafayette Headrail 
<b>MOTOR CRADLE</b>	MTAD-CLHR-TUR 	MT03-0207-050016 	MT03-0207-050016 	MT03-0207-050020 
<b>HEADRAIL PROFILE</b>	Parasol 	SS38 		
<b>MOTOR CRADLE</b>	MT03-0207-050020 	MTAD-CLHRSS38KT 		

**SHAFT ADAPTORS**

V Groove Shaft	D Shaft	5mm Square	4mm Square
PN: MTAD-CLSA-V	PN: MTAD-CLSA-D	PN: MTAD-CLSA-5MMSQ	PN: MTAD-CLSA-4MMSQ

Screw PN: SS31-5991-050944