

# AUTOMATE™

## DC Power Distribution Panel

Up to 18 individual motor connections. Efficient installation.  
The voltage and current output allow for greater cable lengths from motor to power panel.



### RELIABLE, COST EFFECTIVE POWER

Power your Automate DCRF motors from a compact, central location that can service up to 18 motors.



### LED STATUS

Easily check each individual motors power status, by viewing the prominent green LED's on the DC Power Panel.



### SECURE LOCK

Locking cabinet provides protection from inadvertent or unwanted access to power connections.



### DIFFERENT WIRE TYPES

The panel can be used with many different wire types (from 26 to 14 AWG). So any pre-wired installation may readily use DCRF motors and the Power Distribution Panel.



**7** YEAR WARRANTY

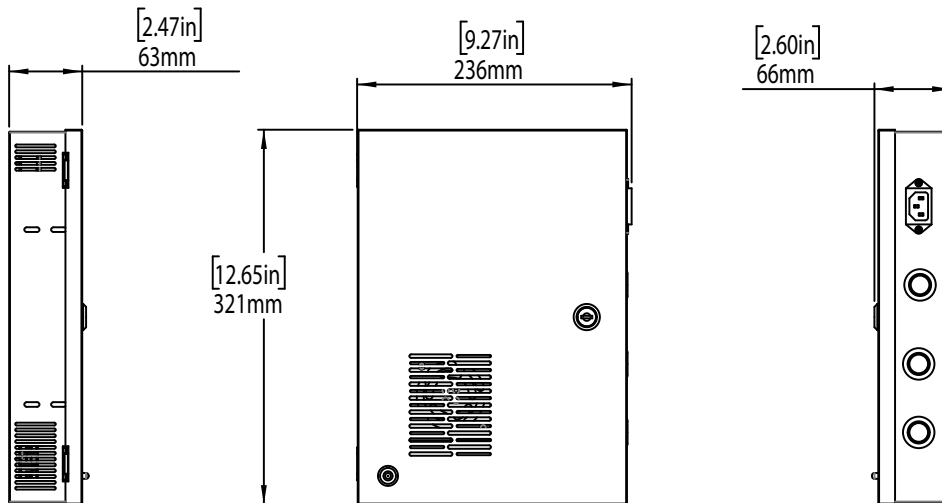
A DIVISION OF  
**ROLLEASE  
ACMEDA**

# PRODUCT SPECIFICATIONS

Part #: MT03-0301-411005 DC POWER DISTRIBUTION PANEL

<b>Input Voltage Range</b>	100 ~ 240V AC
<b>Output Voltage Range</b>	11.4 - 15 VDC
<b>Maximum Output Current (all 18 channels)</b>	24 A
<b>Power Output Rating</b>	360 W
<b>Single Channel Maximum Current Output</b>	1.33 A
<b>Ingress Protection</b>	IP20

## DIMENSIONS



## WORKS WITH

- AUTOMATE DC Motors (25mm, 28mm, 35mm, 45mm, Cord Lift & Tilt)

## ACCESSORIES (sold separately)

## ITEMS INCLUDED



**Power Cord**  
MT03-0304-050007



**Harness Connector**  
MT03-0301-069012



**Keys**



**Screws**  
x4



**Wall Plug**  
x4



**Quick Blow Fuse**  
x3