

Skyline Automate | 45mm

The motorized Skyline roller shade system offers a range of six Automate motors with three tube diameters to suit a variety of applications. Featuring ARC (Automate Radio Communication), the 45mm Skyline Automate system provides an intelligent, Li-ion battery or a DC powered solution.

AESTHETIC FEATURES

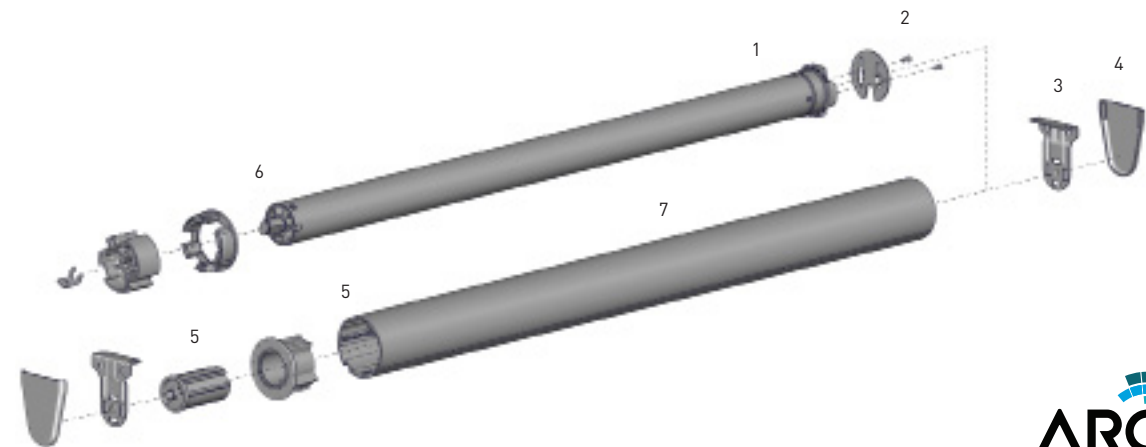
- Slim motor head for minimal light gap

ASSEMBLY / PRODUCTION FEATURES

- Greater flexibility with installation with spring loaded pin end
- Crown, drive and adapters available to suit variety of tube sizes

FUNCTIONAL BENEFITS

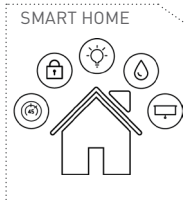
- Leveling control
- Simple limit setting and adjustment
- Favorite position
- 3 operational speed settings
- 2-way RF communication
- ARC protocol for simple programming



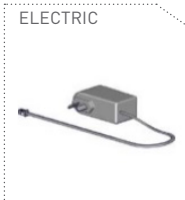
SYSTEM UPGRADES

- CASSETTE 80/100/120
- FASCIA 3"/4"/5"
- LINK SYSTEM
- POCKETS 3"/4"/5"/6"

CONTROL OPTIONS



CHARGERS



SYSTEM INDEX

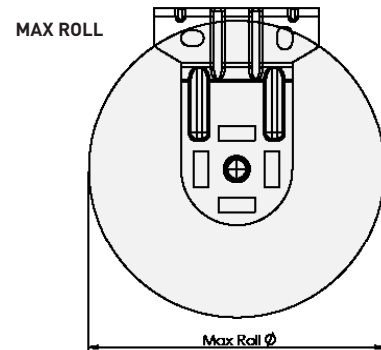
- Automate Motor | 45mm
 - MTDCBRFQ45-3 - Li-ion Q3.0
 - MTDCBRFQ45-10 - Li-ion Q10
 - MTDCRFQ45-3 - DCRF Q3.0
 - MTDCRFQ45-10 - DCRF Q10
 - MTACQRF45-10 - ACRF Q10
 - MTACRF45-15 - ACRF Q15
- Motor Adapter
MTAD-45-SL
- Brackets
SLB###x
SLNB###x
- Bracket Covers
SLBC###x
SLNBC###x
- Pin End & Adapter
SLPEHD53xx + RA2xx
- Crown and Drive Kit
MTCRDR-45-2 - Kit for 2" tube
MTCRDR-45-2.5 - Kit for 2½" tube
MTCRDR-45-3.24 - Kit for ¾" tube
- Aluminium Tube
RTEA5T## - 2" tube
RTEA6T## - 2½" tube
RTEA7T## - ¾" tube
- Screws for Adapter
SLAMSCREW

- Size
xxx- Color

PRODUCT OPTIONS

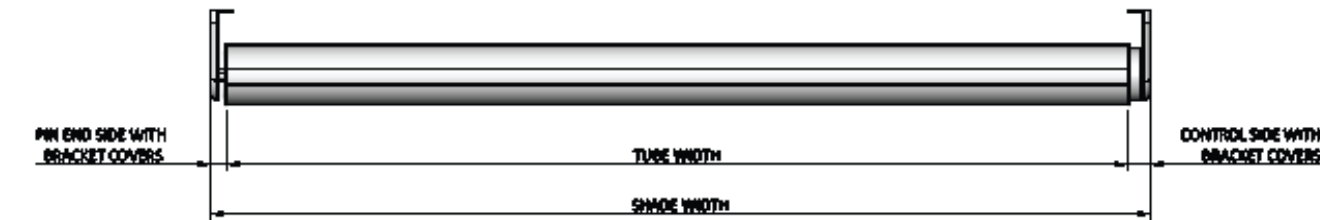
SUN SENSOR

SPECIFICATIONS



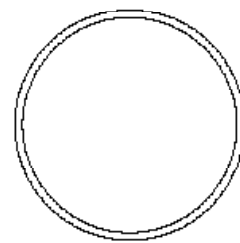
BRACKET	MAX ROLL SIZE
SLxx650xx	2.35" [59.0mm]
SLxx660xx	3" [76.2mm]
SLxx680xx	4" [101.6mm]
SLxx690xx	5" [127.5mm]

DEDUCTION CHART



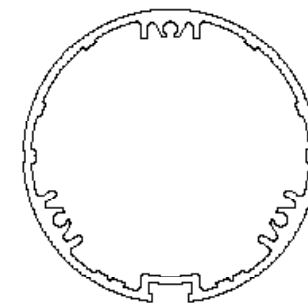
MOTOR	TUBE	BRACKETS	PIN END	CONTROL SIDE	OVERALL DEDUCTION
MTDCBRFQ45-3 MTDCBRFQ45-10	2" Tube	With Bracket Covers	.59" [15mm]	.91" [23mm]	1.50" [38mm]
		No Bracket Covers	.55" [14mm]	.83" [21mm]	1.38" [35mm]
MTDCRFQ45-3 MTDCRFQ45-10 MTACQRF45-10 MTACRF45-15	2½" Tube	With Bracket Covers	.59" [15mm]	.83" [21mm]	1.42" [36mm]
		No Bracket Covers	.55" [14mm]	.75" [19mm]	1.30" [33mm]
	¾" Tube	With Bracket Covers	.59" [15mm]	.87" [22mm]	1.46" [37mm]
		No Bracket Covers	.55" [14mm]	.79" [20mm]	1.30" [34mm]

TUBE SPECS



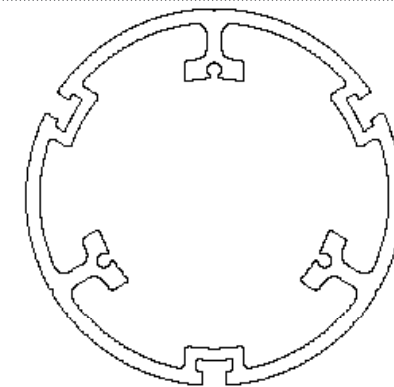
2" Tube

Code: RTEASW5T14 (with tape)
RTEASW5U14 (with-out tape)
OD: 2.0" [51mm]
Length 14 feet [4.27 Meters]



2½" Tube

Code: RTEA6T16 (with tape)
RTEA6U16
2.5" [65mm]
OD: 16'
Length [4.88m]



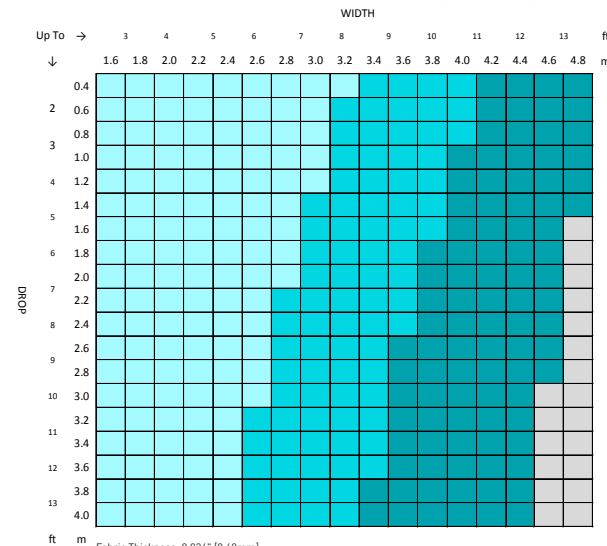
¾" Tube

Code: RTEA7T16 (with tape)
OD: 3.25" [83mm]
Length 16'
[4.88m]

MAX DROP		
2" TUBE	2½" TUBE	¾" TUBE
8.76' [2.67m]	13.12' [4.00m]*	

* Recommended Max Drop. Exceeding this value may cause fabric tracking issues

45mm SYSTEM CAPACITY



Fabric Thickness: 0.024" [0.60mm]
Fabric Density: 12.39oz/yd² [420gsm]
Weight Bar: D30 Silent Medium Aluminium Bottom Rail

CONTROL	TUBE	OUTSIDE SPECIFICATION
45mm Motor	RTEA5T## - 2.0"	
	RTEA6T## - 2.5"	
	RTEA7T## - 3.25"	